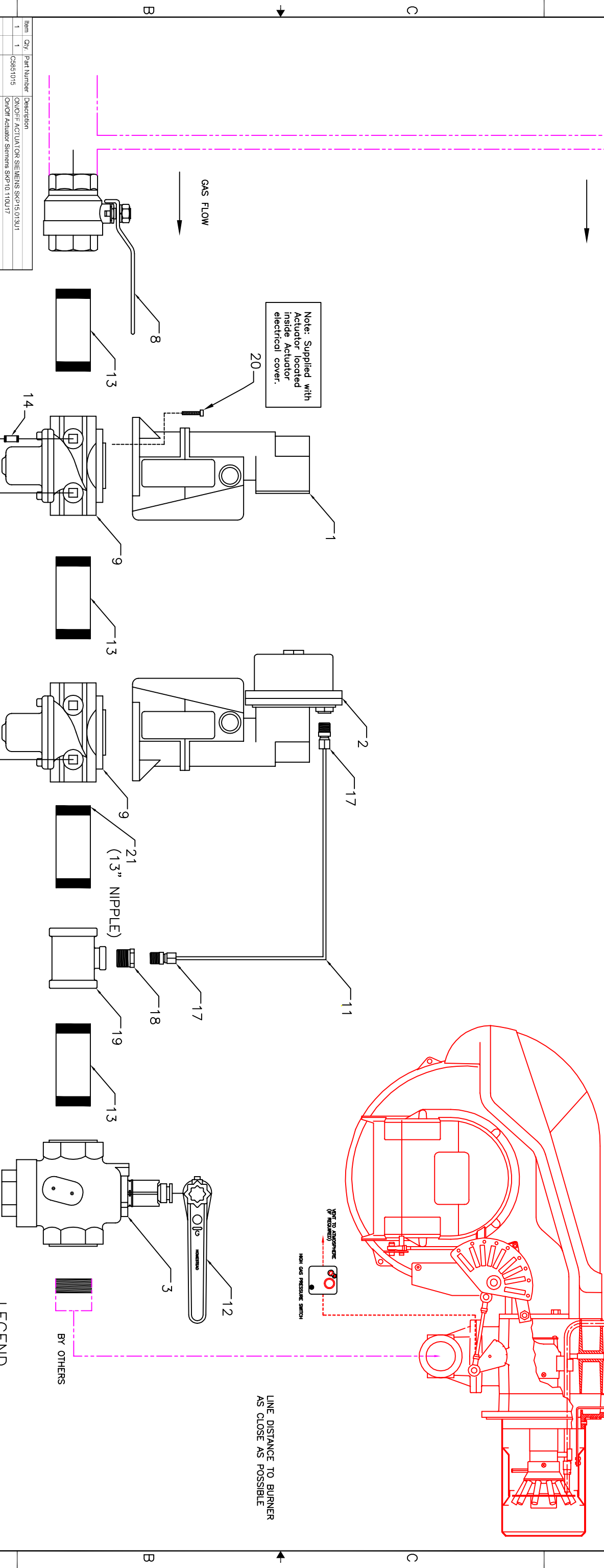
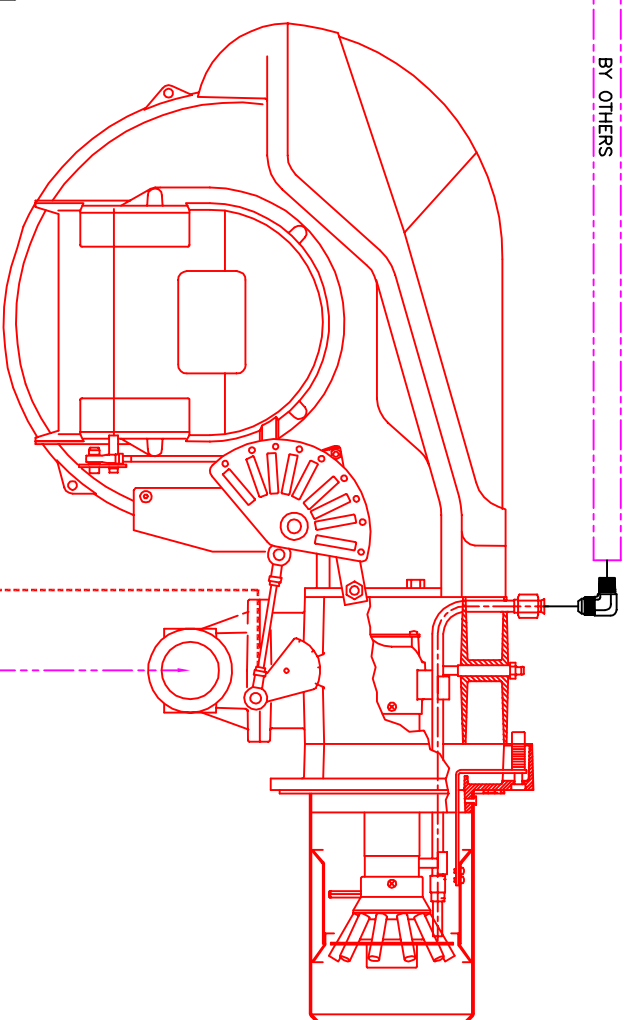


THIS DRAWING CONTAINS PROPRIETARY INFORMATION DISCLOSED BY RELLO IN CONFERENCE AND EXCEPT AS MAY OTHERWISE PERMIT IN WRITING, TO BE USED SOLELY FOR THE PURPOSE FOR WHICH IT HAS BEEN PROVIDED BY RELLO

DO NOT SCALE THIS DRAWING

LINE DISTANCE TO BURNER AS CLOSE AS POSSIBLE

REV	DESCRIPTION	REVISIONS	DATE
1	INITIAL RELEASE		May 4 2004
2	HW/Anuluna LBP switch option added.		June 1 2006
3	Siemens options added.		Mar. 8 2007



**LEGEND**

- SUPPLIED BY RELLO
- INSTALLED BY OTHERS
- - - SUPPLIED AND INSTALLED BY OTHERS

LINE DISTANCE TO BURNER AS CLOSE AS POSSIBLE

GAS FLOW

GAS FLOW

Note: Supplied with Actuator located inside Actuator electrical cover.

VENT TO ATMOSPHERE (IF REQUIRED)

ALL COMPONENTS SHIPPED LOOSE FOR ASSEMBLY BY OTHERS.

Item	Qty	Part Number	Description
1	1	CS9651015	ON/OFF ACTUATOR SIEMENS SKP15.013U1
2	1	CS9651015	ON/OFF Actuator Siemens SKP15.013U1
3	1	CS6811021	REGULATOR SIEMENS SKP20.191U17
4	1	CS7092004	Reg/actuator Siemens SKP20.191U17
5	1	CS3320310	LPC Valve 2-1/2" Homestead #601
6	1	CS3320310	LPC SWITCH HW CG697A1012
7	1	CS3320310	LGP Switch Anuluna 8103116202
8	1	CS9650534	Plut Size Valve ASCO 306 SW311402N6CF5
9	1	CS9650534	Plut Reg. 306" Max. 325-34-33
10	1	CS7081716	Ball Valve 3/8" American MB88C
11	1	CS7081716	Ball Valve 3/8" American MB88C
12	1	CS7081716	Ball Valve 3/8" American MB88C
13	1	CS9650422	Gas Valve 2-1/2" Siemens VCG10.654U
14	1	CS7081728	Ball Valve 1/4" M100
15	1	CS7081728	Ball Valve 1/4" M100
16	1	CS7081728	Ball Valve 1/4" M100
17	1	CS7081728	Ball Valve 1/4" M100
18	1	CS7081728	Ball Valve 1/4" M100
19	1	CS7081728	Ball Valve 1/4" M100
20	1	CS7081728	Ball Valve 1/4" M100
21	1	CS7081728	Ball Valve 1/4" M100
22	1	CS9652951	Vent Limiter Max-12A03

THIRD ANGLE PROJECTION		APPROVED	
DRAWN: Jeff Kohner		DATE: May 4 2004	
CHECKED:			
MECH:			
ELECT:			
QA:			
		<b>RELO BURNERS - NORTH AMERICA</b> 2165 Meadowlark Blvd. MISSISSAUGA, Ontario, Canada L4N 6R6 Tel: 905-882-2800 Fax: 905-882-2800	
TITLE <b>2-1/2" GAS VALVE TRAIN DRAWING</b> SIEMENS UL/CSD-1 RLS190 MOD 28"		SIZE DWG. NO. C83116620	SHEET 1 OF 1