

GMI-8M Boiler

2007 ASME BOILER & PRESSURE VESSEL CODE
SECTION IV.

HTP	MAWP	TEMP
240 PSI	160 PSI	210° F

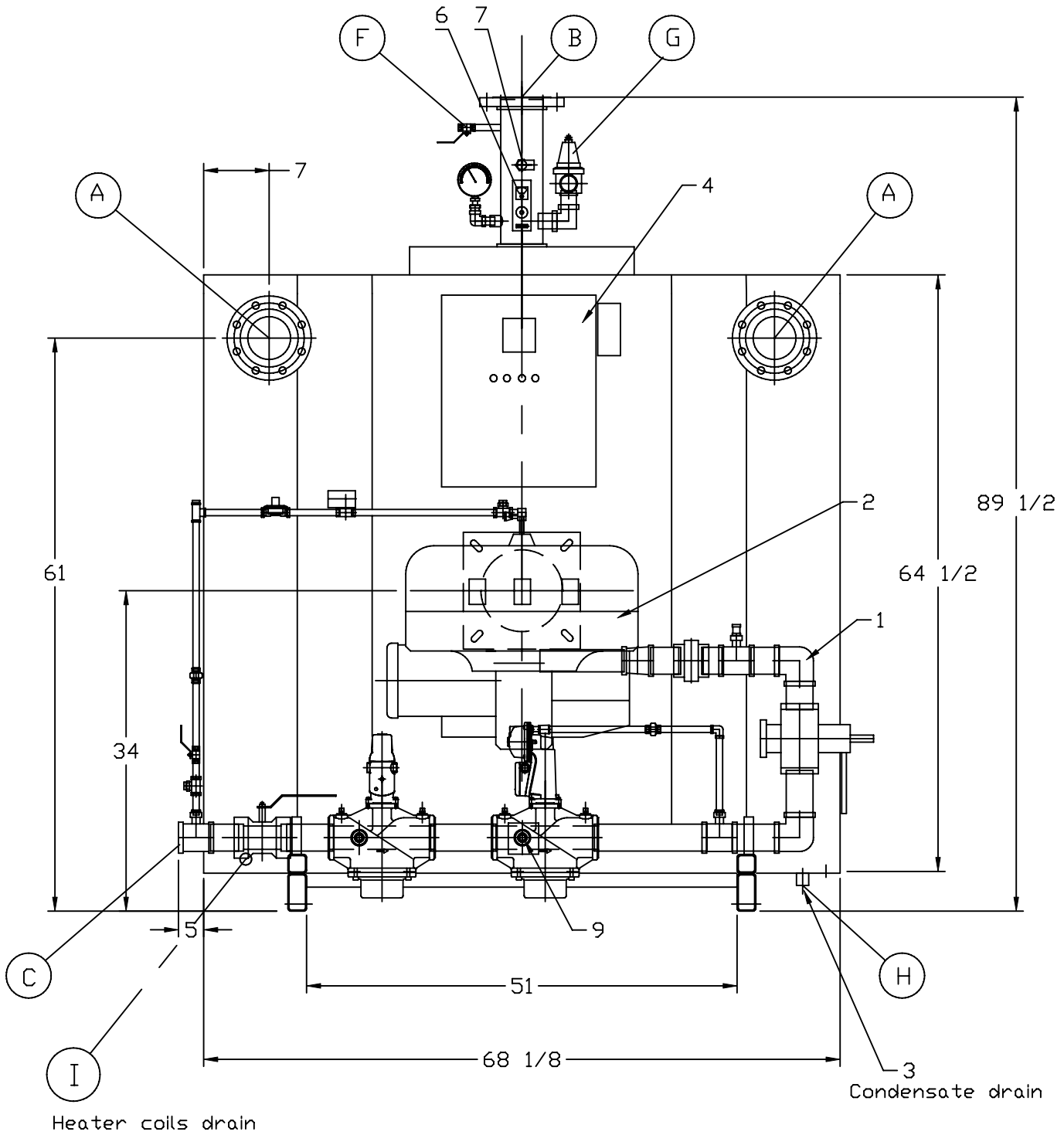
Name	Connection	Size	Type	Qty.
A	Water Inlet , S.S	4"	FLG.	2
B	Water Outlet , S.S	4"	FLG.	1
C	Gas Inlet (28"-56")	2.1/2"	NPTF	1
D	Exhaust Connection, S.S.	ø24" OD		1
E				
F	Air Connection Valve, Brass	3/8"	NPTF	1
G	Pressure Relief Valve, Brass	1-1/2"	NPTF	1
H	Condensate connection	1"	NPT	1
I	Coil Drain Valve, Brass	3/4"	NPTF	1

Item	Qty.	Description	Initial
1	1	Boiler Housing Assembly	_____
2	1	Burner Assembly	_____
3	1	Condensate Drain	_____
4	1	Control Panel Assembly	_____
5	1	Low Water Cut off	_____
6	1	Temperature High Limit	_____
7	1	Temperature Sensor	_____
8	1	Flow Switch (Installed by Other)	_____
9	1	Pressure Switch	_____

Approximate Weight	5200 LB
(Empty)	
Water Capacity	165 US GAL

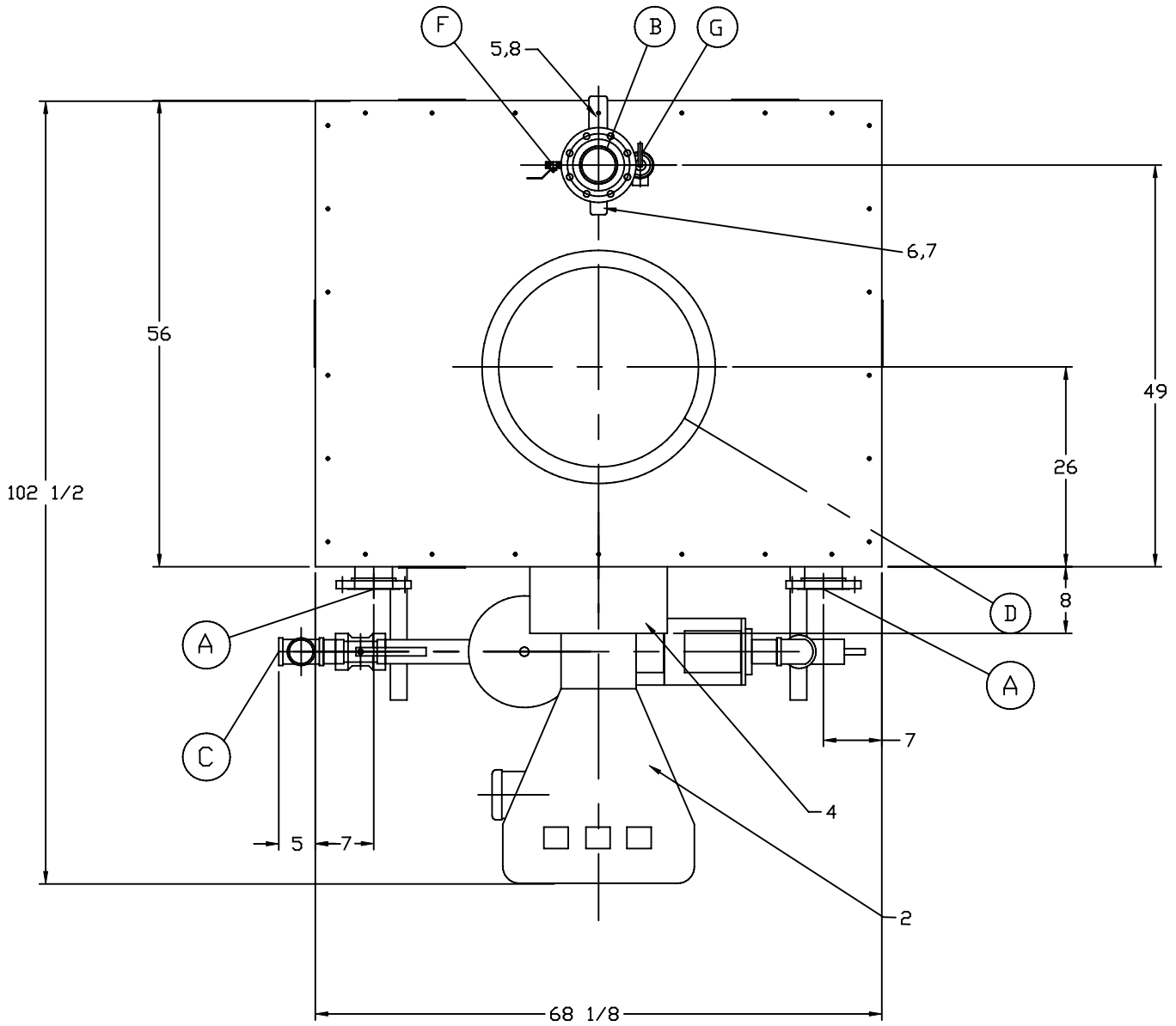
SCALE: NTS	GASMASTER INDUSTRIES LTD. 7480 MacDonald Road, Delta, BC Canada	
DATE: NOV. 15, 2010		
DRAWN: SHARON TAN	Boiler Assembly - Parts list	
CHK: RAMESH		
APPROVED: BS		
	SHEET: 1/4	Dim. : Inch

GMI-8M Boiler



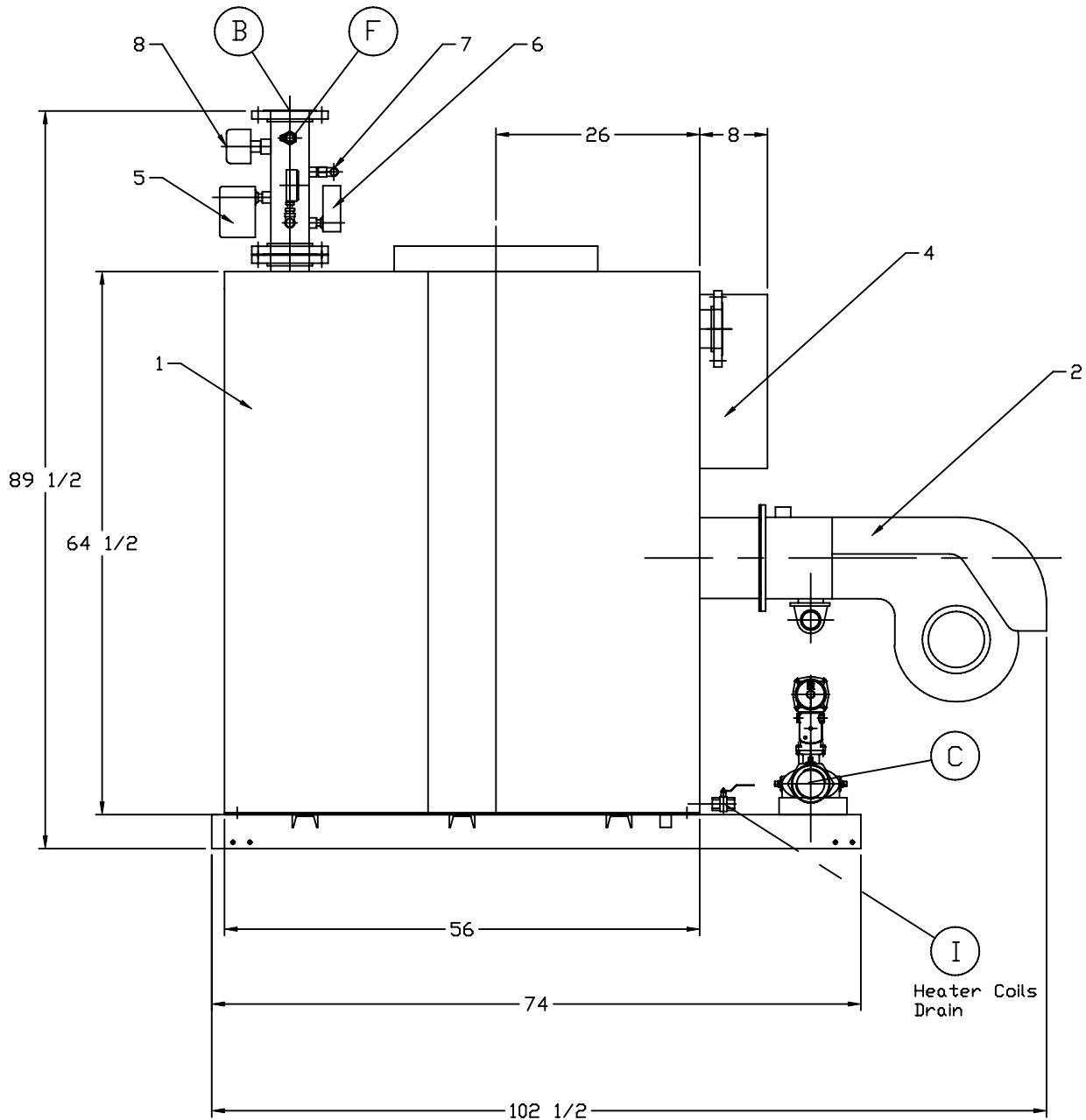
SCALE: NTS	GASMASTER INDUSTRIES LTD. 7480 MacDonald Road, Delta, BC Canada	
DATE: Nov. 18, 2010		
DRAWN: Sharon Tan	Boiler Assembly - front view	
CHK: Ramesh		
APPROVED: BS		
	SHEET: 2/4	Dim. : Inch

GMI-8M Boiler



SCALE: NTS	GASMASTER INDUSTRIES LTD. 7480 MacDonald Road, Delta, BC Canada		
DATE: Nov. 18, 2010			
DRAWN: Sharon Tan	Boiler Assembly - top view		
CHK: Ramesh			
APPROVED: BS			
		SHEET: 3/4	Dim. : Inch

GMI-8M Boiler



SCALE: NTS	GASMASTER INDUSTRIES LTD.	
DATE: Nov. 18, 2010	7480 MacDonald Road, Delta, BC, Canada	
DRAWN: Sharon Tan	Boiler Assembly – side view	
CHK: Ramesh		
APPROVED: BS	SHEET: 4/4	Dim. : Inch