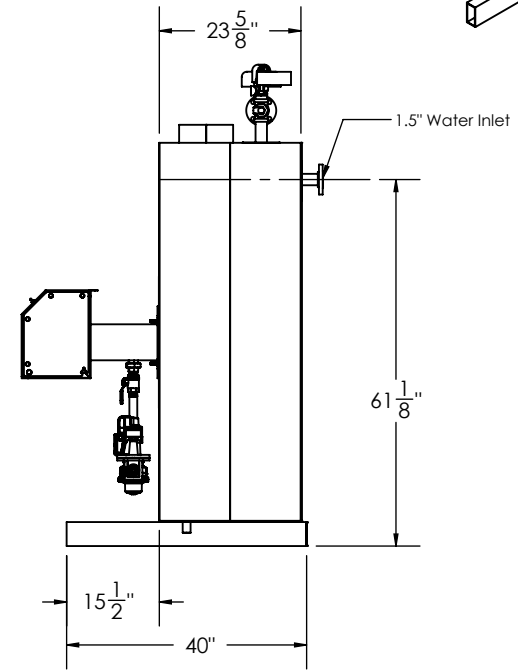
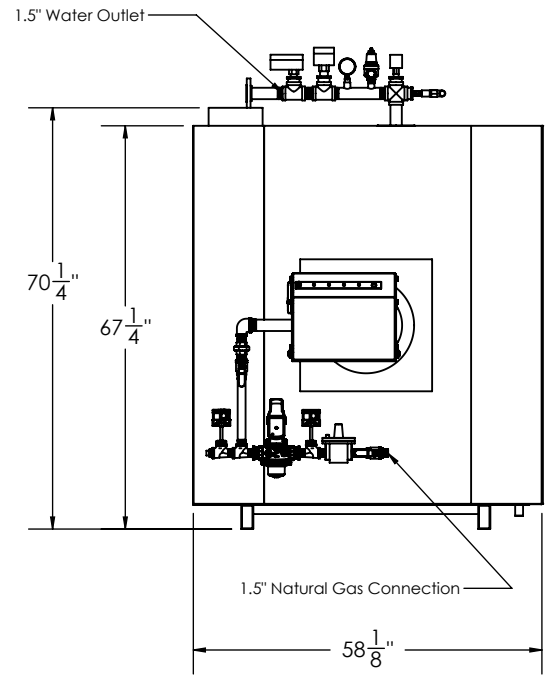
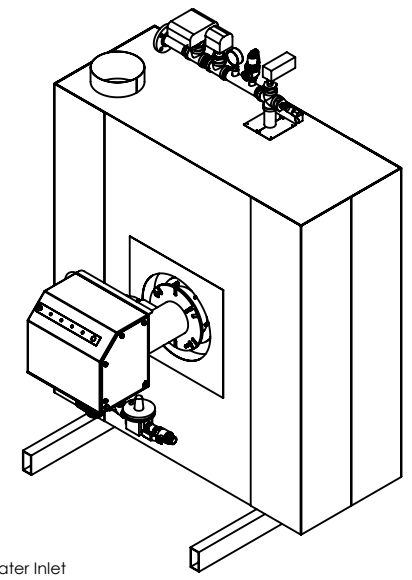
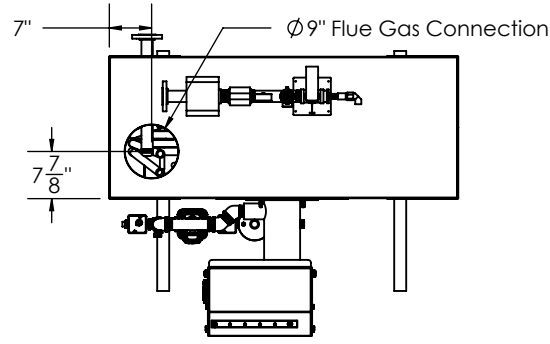
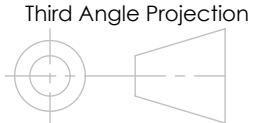



PROPRIETARY AND CONFIDENTIAL
 THE INFORMATION CONTAINED IN THIS DRAWING IS THE SOLE PROPERTY OF GASMATER INDUSTRIES LTD. ANY REPRODUCTION IN PART OR AS A WHOLE WITHOUT THE WRITTEN PERMISSION OF GASMATER INDUSTRIES LTD IS PROHIBITED.



Burner and gastrain are for reference only.

Finish: None DIMENSIONS ARE IN INCHES TOLERANCES: FRACTIONAL $\pm 1/2$ ANGULAR $\pm 3^\circ$	Rev No	Description of Revision	NAME	DATE	GASMATER INDUSTRIES LTD 1480 Cliveden Ave, Delta, BC V3M 6K2	
			DRAWN BY		TITLE: GMI-1M	
			CHECKED BY		SIZE DWG. REF. NO.	
			APPROVED BY			
MATERIAL: Per Each Part					A	 SCALE: 1:32