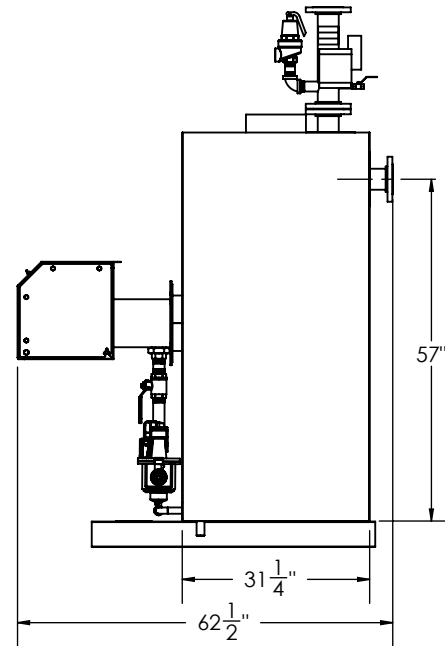
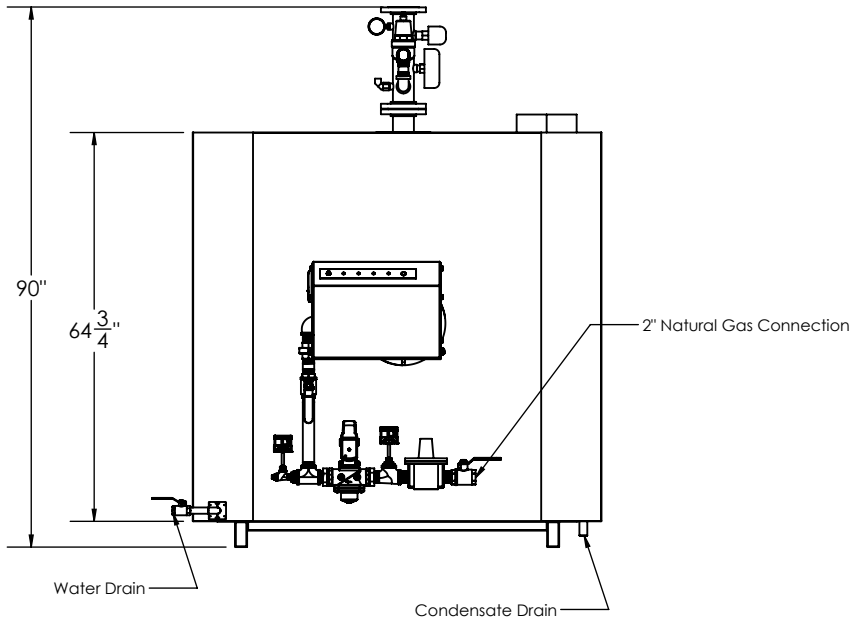
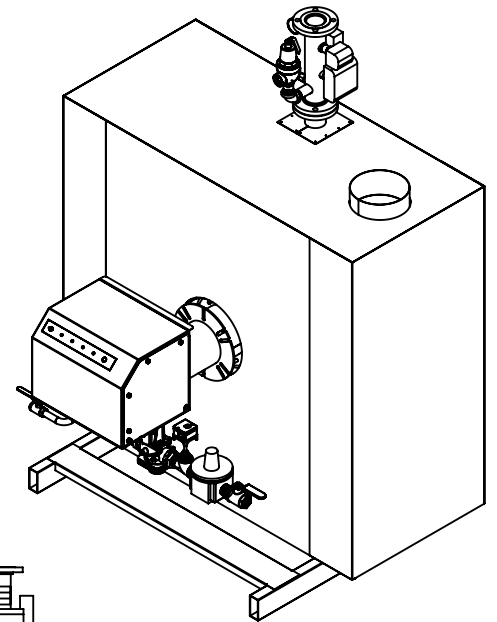
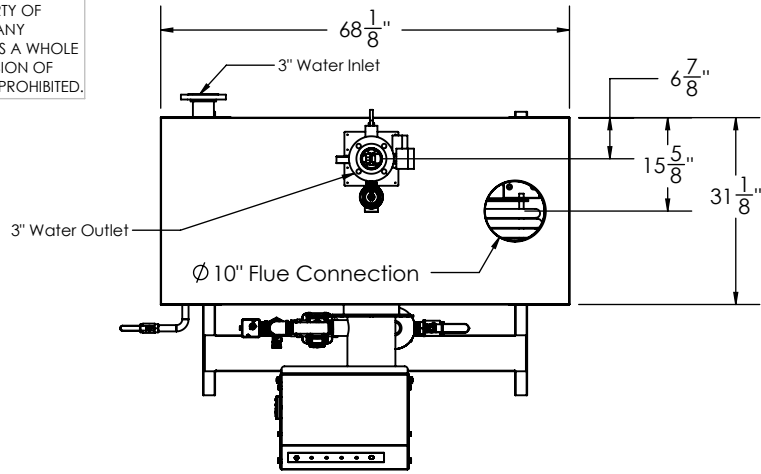


PROPRIETARY AND CONFIDENTIAL
 THE INFORMATION CONTAINED IN THIS DRAWING IS THE SOLE PROPERTY OF GASMATER INDUSTRIES LTD. ANY REPRODUCTION IN PART OR AS A WHOLE WITHOUT THE WRITTEN PERMISSION OF GASMATER INDUSTRIES LTD IS PROHIBITED.



Burner and gas train are for reference only.

Finish: None	Rev No	Description of Revision
DIMENSIONS ARE IN INCHES		
TOLERANCES: FRACTIONAL ±1/2 ANGULAR ±3°		
MATERIAL: Per Each Part		

NAME	DATE
DRAWN BY	
CHECKED BY	
APPROVED BY	

Third Angle Projection

GASMATER INDUSTRIES LTD 1480 Cliveden Ave, Delta, BC V3M 6K2	
TITLE: GMI-2M	
SIZE A	DWG. REF. NO.
SCALE: 1:32	SHEET 1 OF 1



5

4

3

2

1