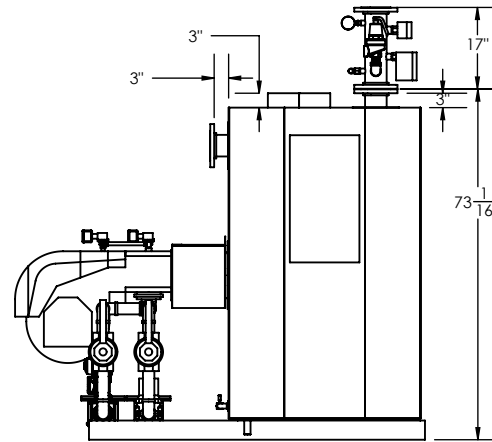
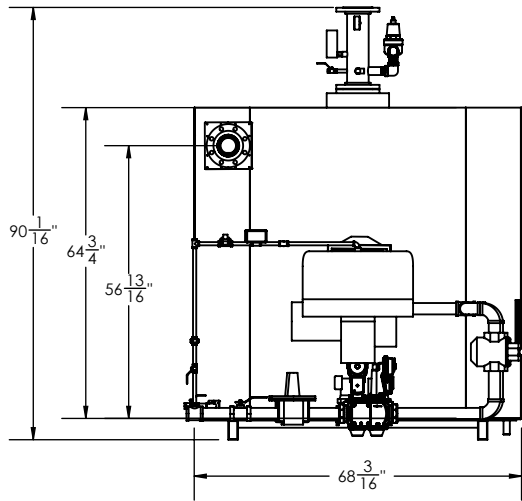
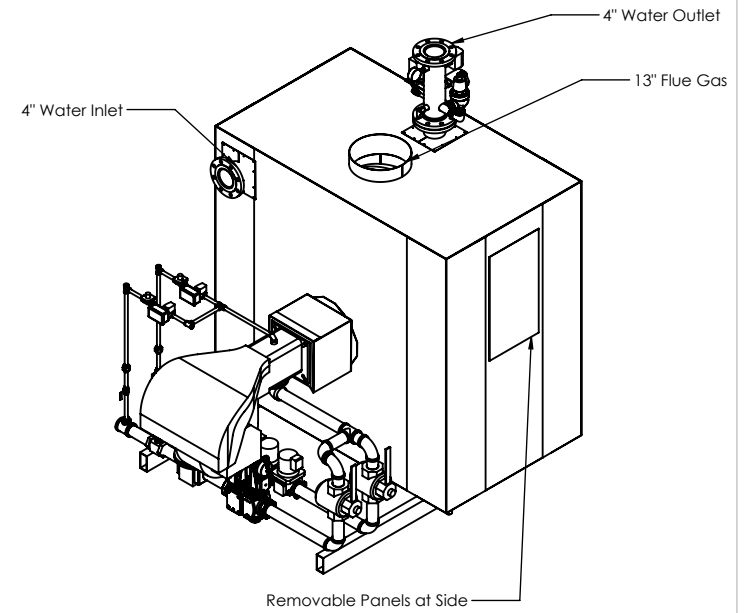
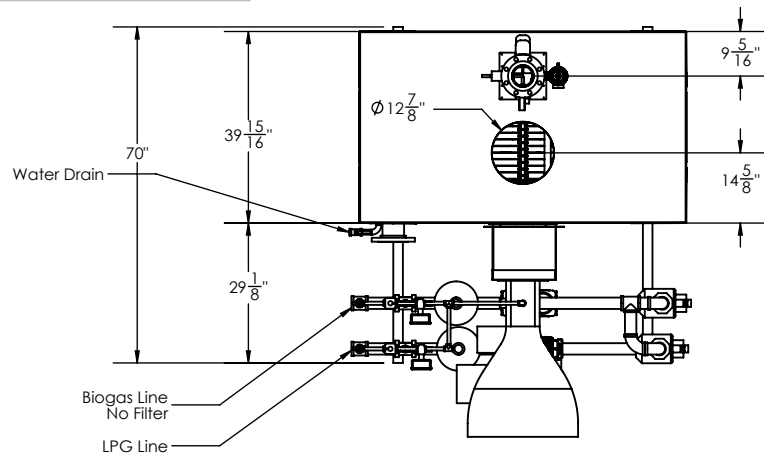


PROPRIETARY AND CONFIDENTIAL
 THE INFORMATION CONTAINED IN THIS DRAWING IS THE SOLE PROPERTY OF GASMASTER INDUSTRIES LTD. ANY REPRODUCTION IN PART OR AS A WHOLE WITHOUT THE WRITTEN PERMISSION OF GASMASTER INDUSTRIES LTD IS PROHIBITED.



Finish: None

Rev No

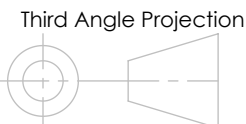
Description of Revision

DIMENSIONS ARE IN INCHES

TOLERANCES:
 FRACTIONAL $\pm 1/16$
 ANGULAR: MACH ± 0.5 BEND ± 0.5
 TWO PLACE DECIMAL ± 0.005
 THREE PLACE DECIMAL ± 0.002

MATERIAL:
 Per Each Part

NAME
 DATE
 DRAWN BY
 CHECKED BY
 APPROVED BY



GASMASTER INDUSTRIES LTD
 1480 Cliveden Ave, Delta, BC V3M 6K2

TITLE: GMI-4M-DG

SIZE DWG. REF. NO.

A



SCALE: 1:40

SHEET 1 OF 1

5

4

3

2

1