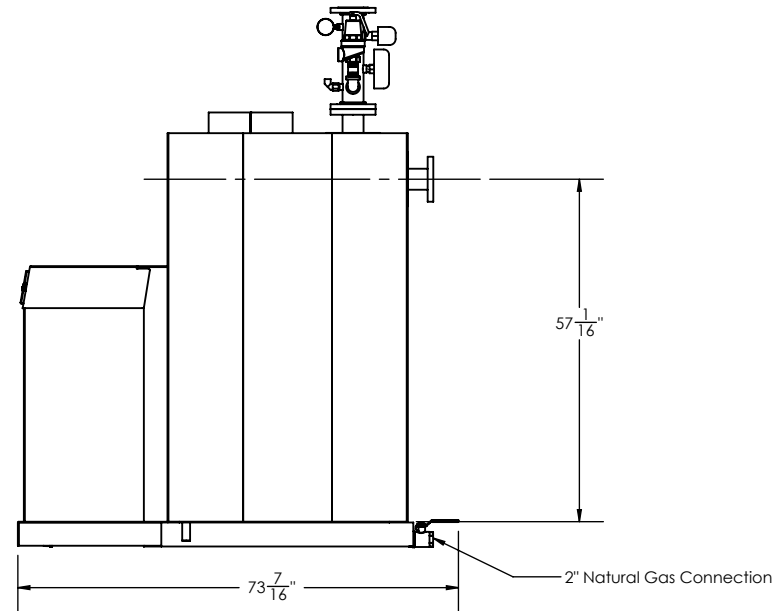
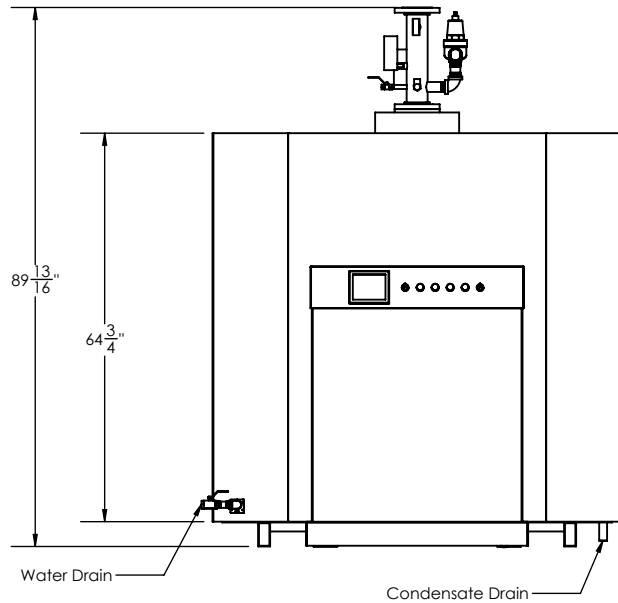
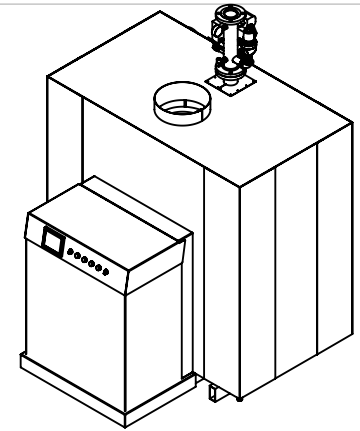
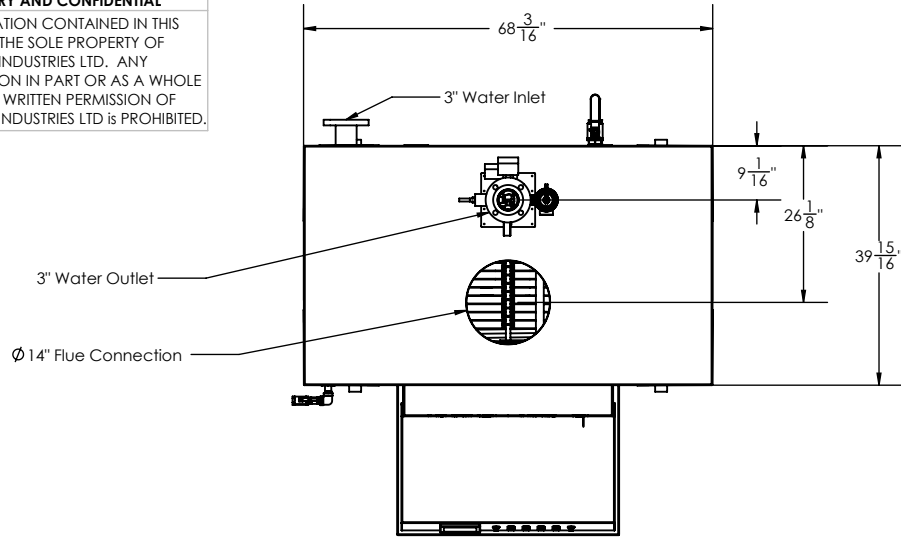


**PROPRIETARY AND CONFIDENTIAL**  
 THE INFORMATION CONTAINED IN THIS DRAWING IS THE SOLE PROPERTY OF GASMASTER INDUSTRIES LTD. ANY REPRODUCTION IN PART OR AS A WHOLE WITHOUT THE WRITTEN PERMISSION OF GASMASTER INDUSTRIES LTD IS PROHIBITED.



Finish: None

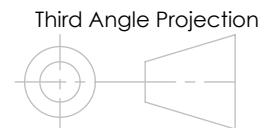
DIMENSIONS ARE IN INCHES

TOLERANCES:  
 FRACTIONAL ±1/2  
 ANGULAR ±3°

MATERIAL:  
 Material <not specified>

Rev No	Description of Revision

NAME	DATE
DRAWN BY	
CHECKED BY	
APPROVED BY	



GASMASTER INDUSTRIES LTD 1480 Cliveden Ave, Delta, BC V3M 6K2	
TITLE: GMI-4M	
SIZE <b>A</b>	DWG. REF. NO.
SCALE: 1:32	SHEET 1 OF 1

