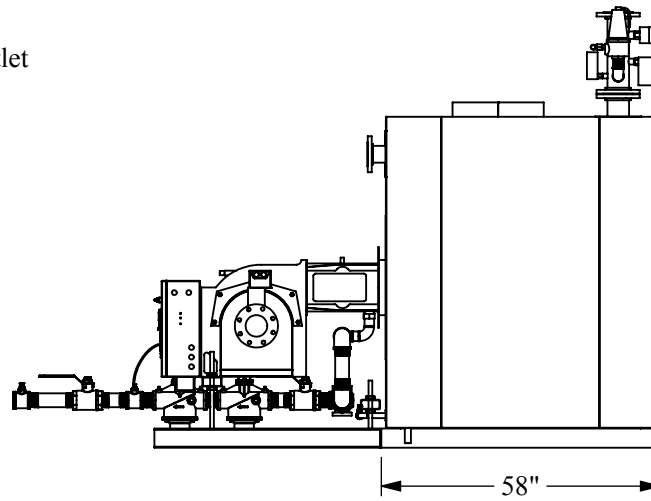
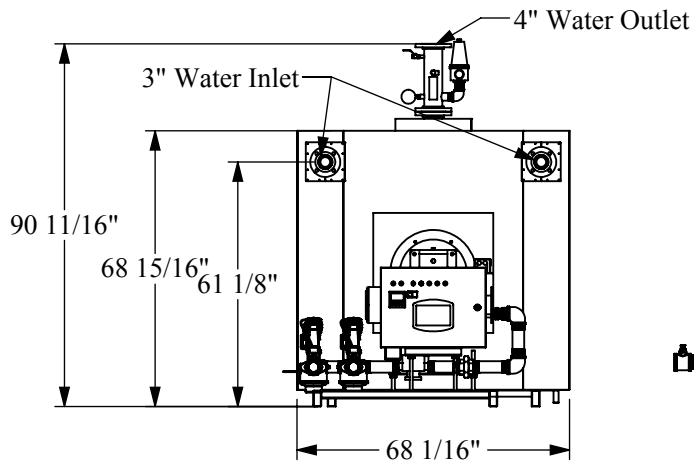
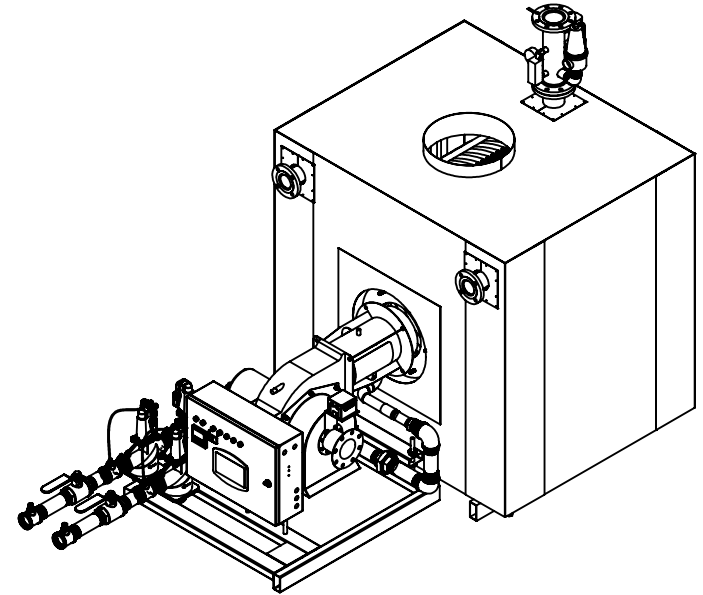
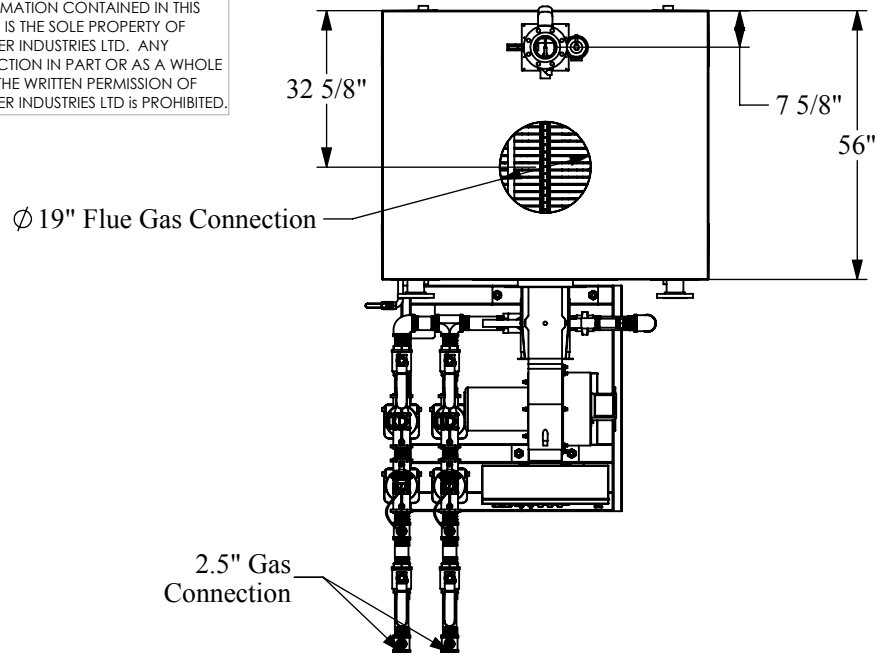
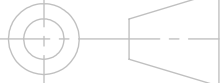



PROPRIETARY AND CONFIDENTIAL
 THE INFORMATION CONTAINED IN THIS DRAWING IS THE SOLE PROPERTY OF GASMASTER INDUSTRIES LTD. ANY REPRODUCTION IN PART OR AS A WHOLE WITHOUT THE WRITTEN PERMISSION OF GASMASTER INDUSTRIES LTD IS PROHIBITED.



Burner and gastrain are for reference only.

Finish: None	Rev No	Description of Revision	NAME	DATE	GASMASTER INDUSTRIES LTD 1480, Cliveden, Delta, BC V3M 6K2	
DIMENSIONS ARE IN INCHES			DRAWN BY		TITLE: GMI-8M-DG	
TOLERANCES: FRACTIONAL ± 1/2 ANGULAR ± 3°			CHECKED BY		SIZE DWG. REF. NO.	
			APPROVED BY			
MATERIAL: Per Each Part					SCALE: 1:48	 SHEET 1 OF 1