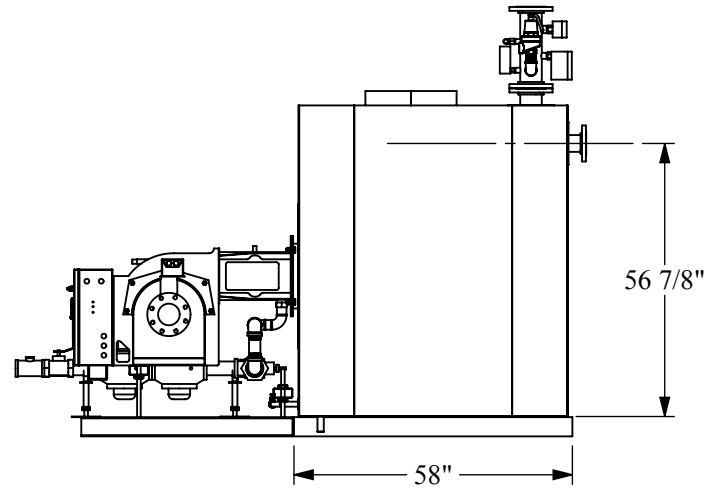
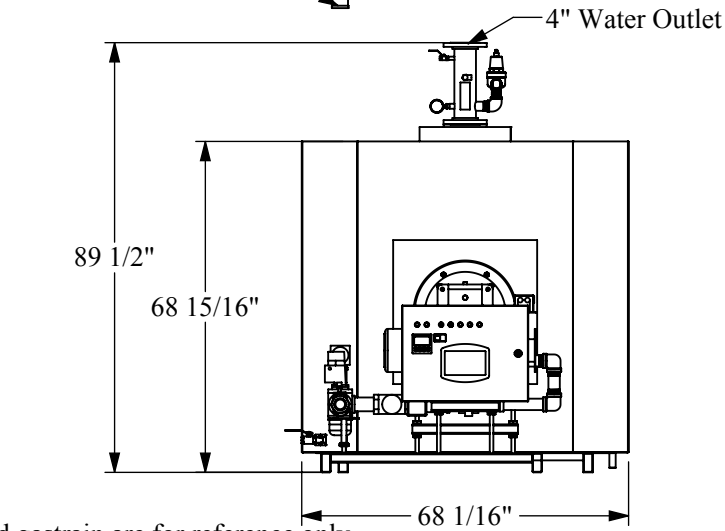
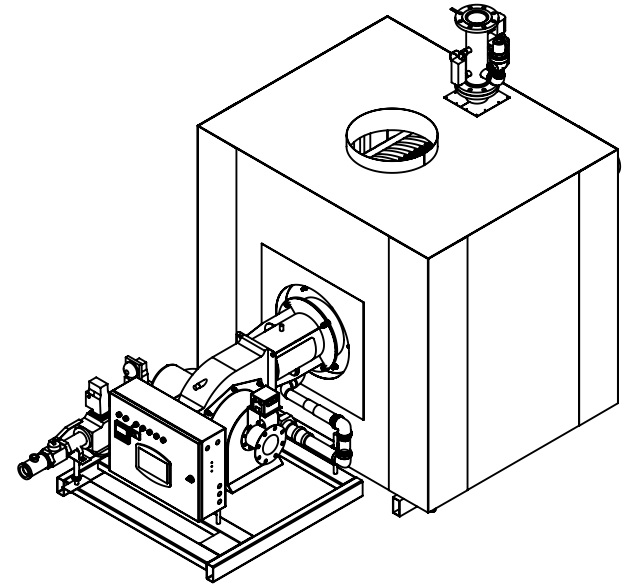
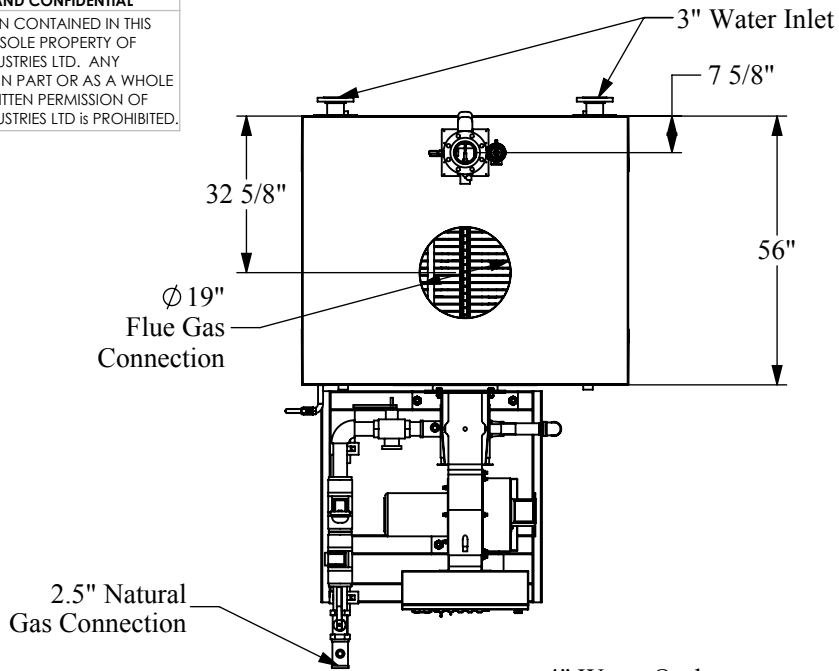
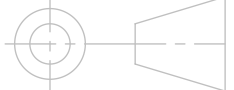



PROPRIETARY AND CONFIDENTIAL
 THE INFORMATION CONTAINED IN THIS DRAWING IS THE SOLE PROPERTY OF GASMASTER INDUSTRIES LTD. ANY REPRODUCTION IN PART OR AS A WHOLE WITHOUT THE WRITTEN PERMISSION OF GASMASTER INDUSTRIES LTD IS PROHIBITED.



Burner and gastrain are for reference only.

Finish: None DIMENSIONS ARE IN INCHES TOLERANCES: FRACTIONAL ±1/2 ANGULAR ±3° MATERIAL: Per Each Part	Rev No	Description of Revision	NAME	DATE	GASMASTER INDUSTRIES LTD 1480 Cliveden Ave, Delta, BC V3M 6K2	
			DRAWN BY		TITLE: GMI 8M	
			CHECKED BY		SIZE DWG. REF. NO.	
			APPROVED BY			
					A	 EFFICIENT • RELIABLE • GREEN
					SCALE: 1:40	SHEET 1 OF 1

5

4

3

2

1