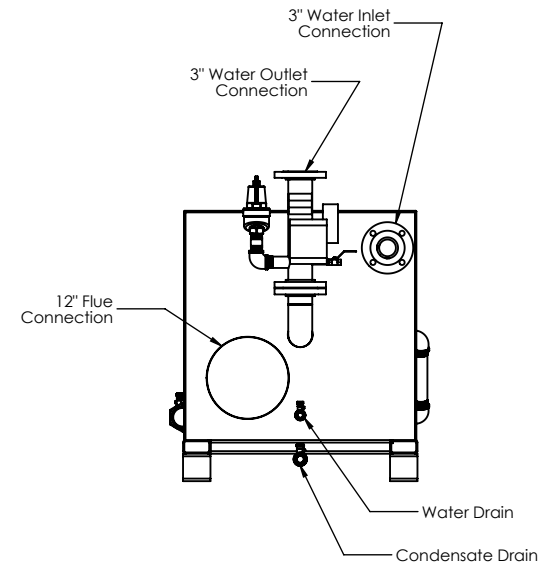
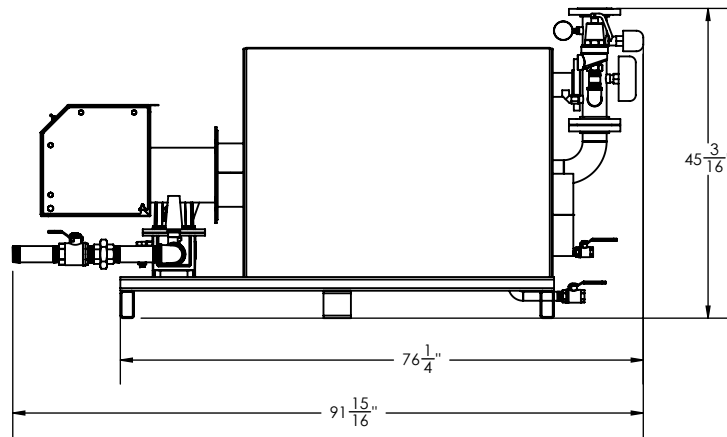
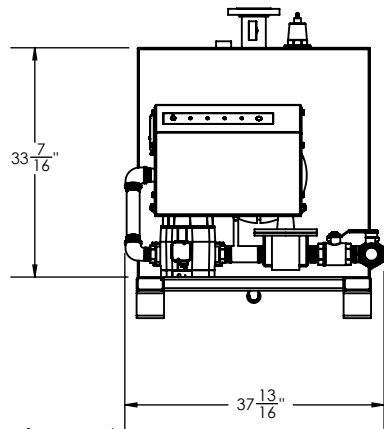
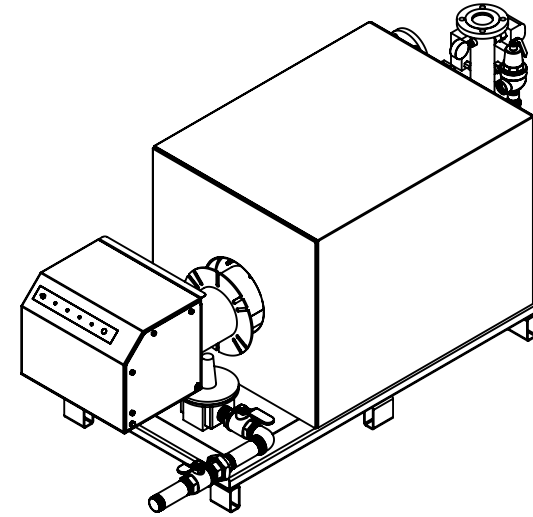
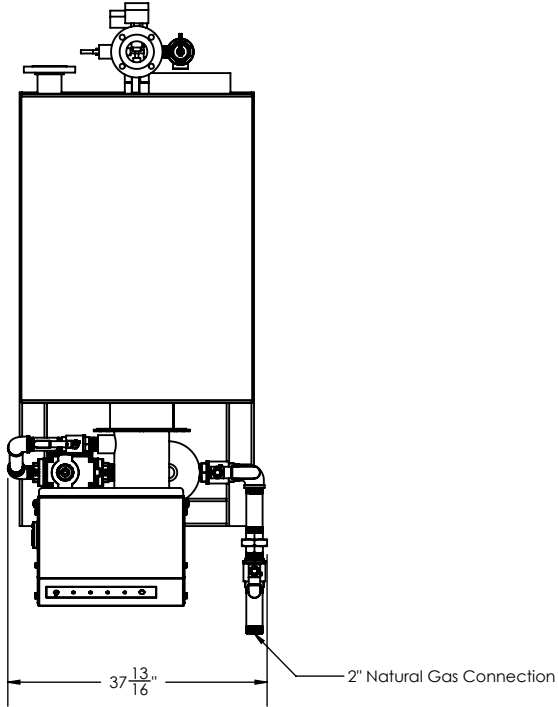
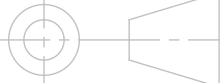



PROPRIETARY AND CONFIDENTIAL
 THE INFORMATION CONTAINED IN THIS DRAWING IS THE SOLE PROPERTY OF GASMASTER INDUSTRIES LTD. ANY REPRODUCTION IN PART OR AS A WHOLE WITHOUT THE WRITTEN PERMISSION OF GASMASTER INDUSTRIES LTD IS PROHIBITED.



Burner and gastrain are for reference only

Finish: None DIMENSIONS ARE IN INCHES TOLERANCES: FRACTIONAL ±1/16 ANGULAR:MACH ±0.5 BEND ±0.5 TWO PLACE DECIMAL ±0.005 THREE PLACE DECIMAL ±0.002 MATERIAL: Per Each Part	Rev No	Description of Revision	NAME	DATE	GASMASTER INDUSTRIES LTD 1480 Cliveden Ave, Delta, BC V3M 6K2	
			DRAWN BY		TITLE: HC 2500	
			CHECKED BY		SIZE DWG. REF. NO.	
			APPROVED BY		 A	
					SCALE: 1:28	 SHEET 1 OF 1

5

4

3

2

1