

1

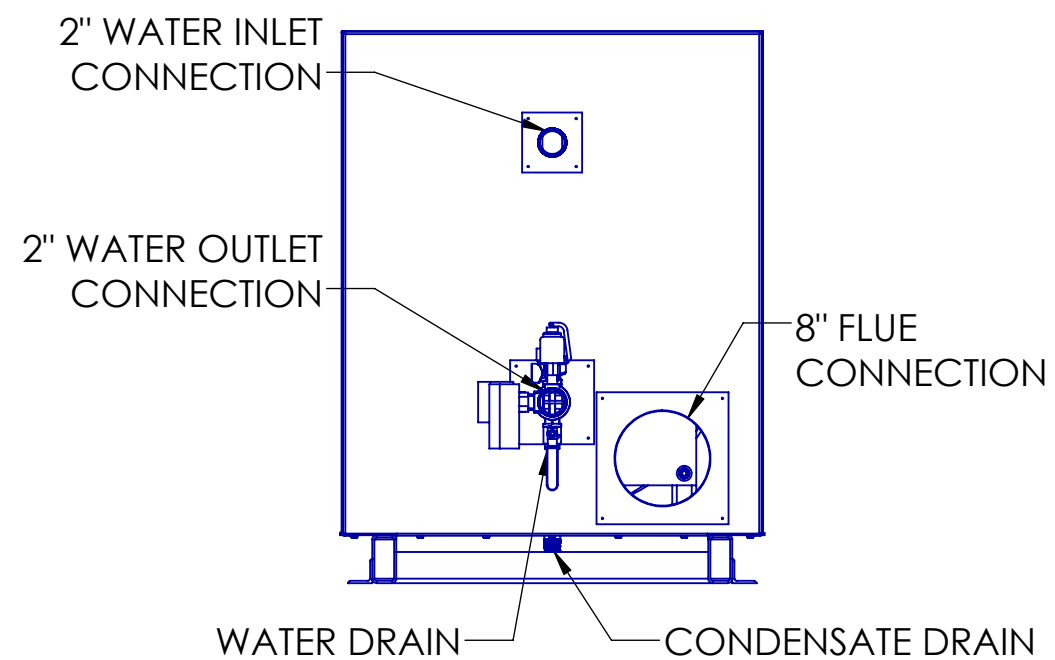
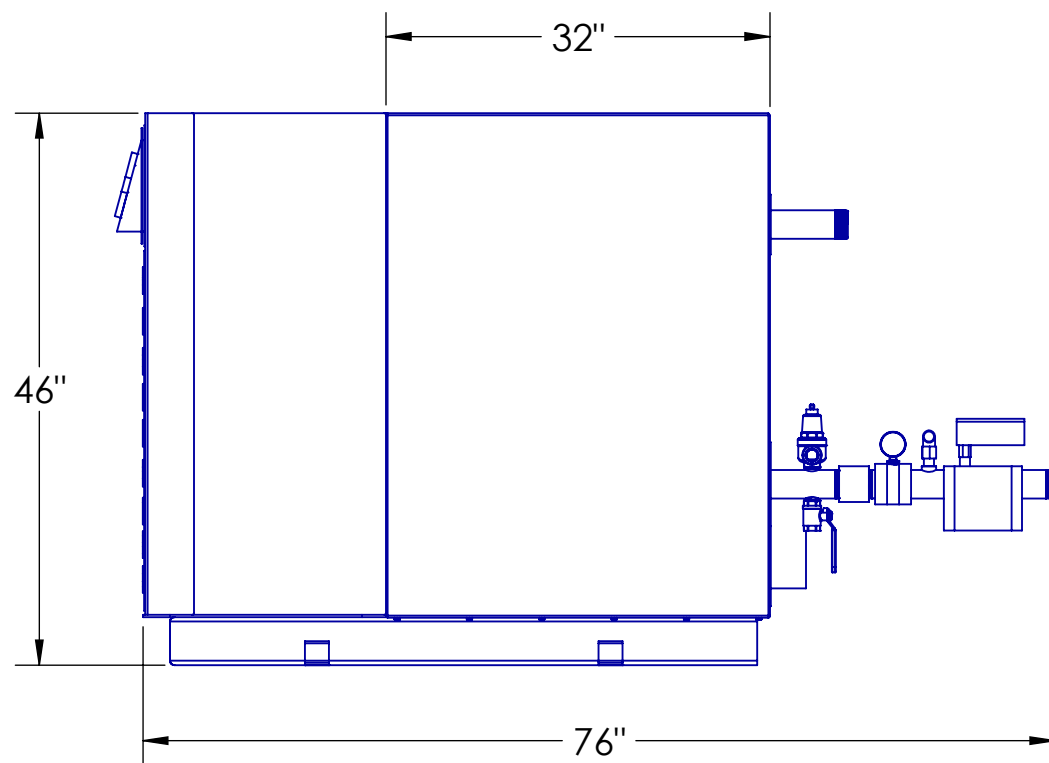
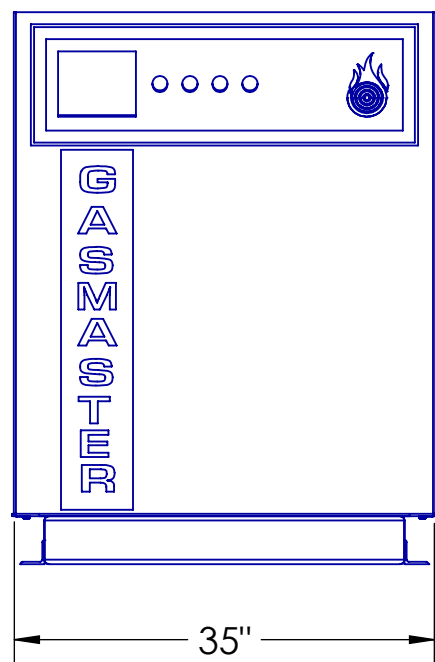
2

3

4

B

B




PROPRIETARY AND CONFIDENTIAL
 THE INFORMATION CONTAINED IN THIS DRAWING IS THE SOLE PROPERTY OF GASMASTER INDUSTRIES. ANY REPRODUCTION IN PART OR AS A WHOLE WITHOUT THE WRITTEN PERMISSION OF GASMASTER INDUSTRIES IS PROHIBITED.

UNLESS OTHERWISE SPECIFIED:
 DIMENSIONS ARE IN INCHES
 TOLERANCES:
 FRACTIONAL: ±1/16"
 ANGULAR: ±1°

THIRD ANGLE PROJECTION

NAME	DATE	SIGN

**NO STAMP
NO BUILD**


 GASMASTER INDUSTRIES LTD
 3105-6900 Graybar Rd, Richmond BC V6W 0A5
 DWG. #: HC1500 Submittal Images

SIZE B	REV 0	PART #: 100-131
SCALE: 1:16		SHEET 5 OF 6

A

A

1

2

3

4