

1

2

3

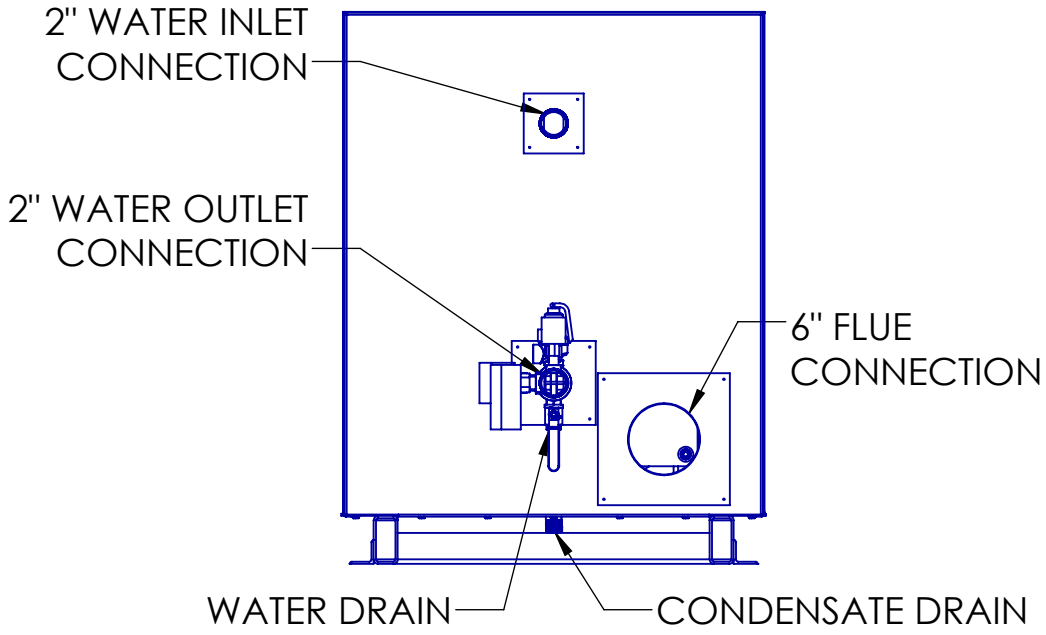
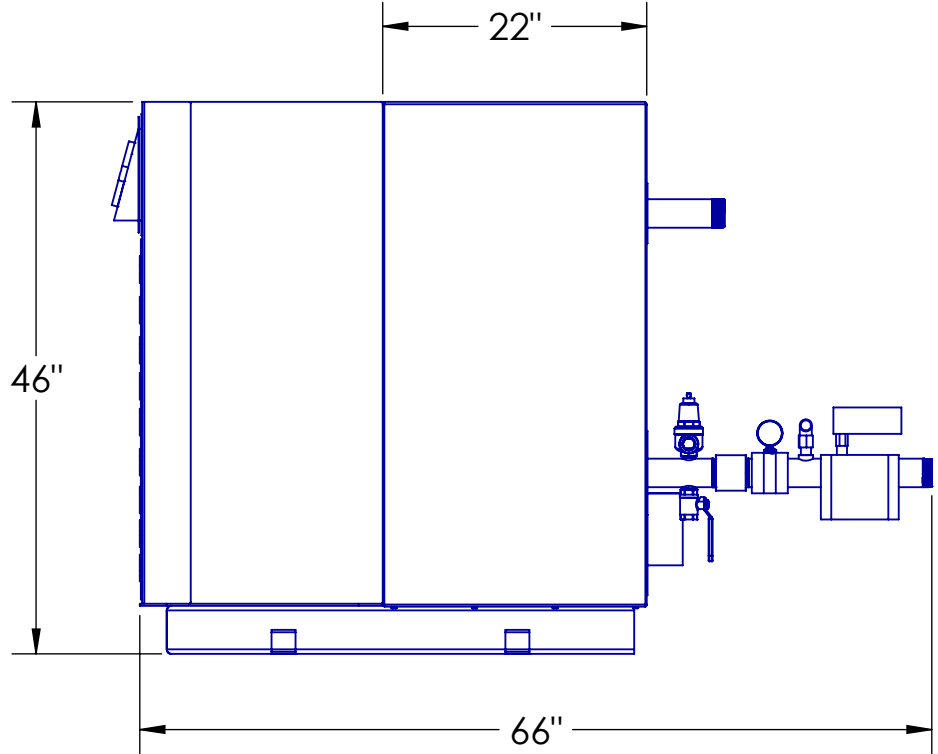
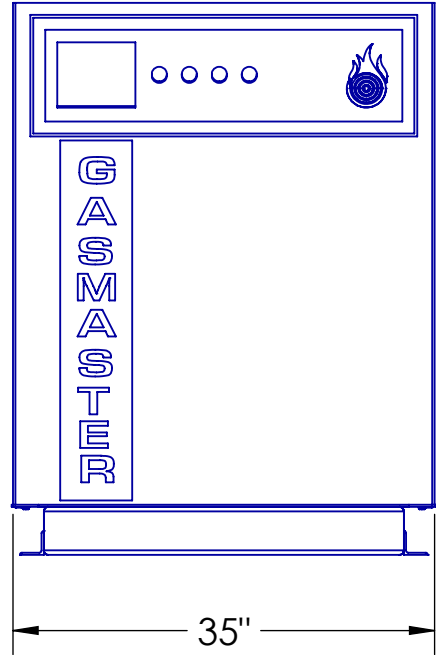
4

B

B

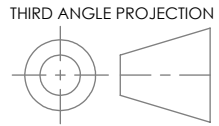
A

A



PROPRIETARY AND CONFIDENTIAL
 THE INFORMATION CONTAINED IN THIS DRAWING IS THE SOLE PROPERTY OF
 GASMASTER INDUSTRIES. ANY REPRODUCTION IN PART OR AS A WHOLE
 WITHOUT THE WRITTEN PERMISSION OF GASMASTER INDUSTRIES IS PROHIBITED.

UNLESS OTHERWISE SPECIFIED:
 DIMENSIONS ARE IN INCHES
 TOLERANCES:
 FRACTIONAL: ±1/16"
 ANGULAR: ±1°



NAME	DATE	SIGN

**NO STAMP
NO BUILD**


 GASMASTER INDUSTRIES LTD
 3105-6900 Graybar Rd, Richmond BC V6W 0A5

DWG. #: HC600 Submittal Images

SIZE B	REV 0	PART #: 100-129
SCALE: 1:16		SHEET 5 OF 5

1

2

3

4