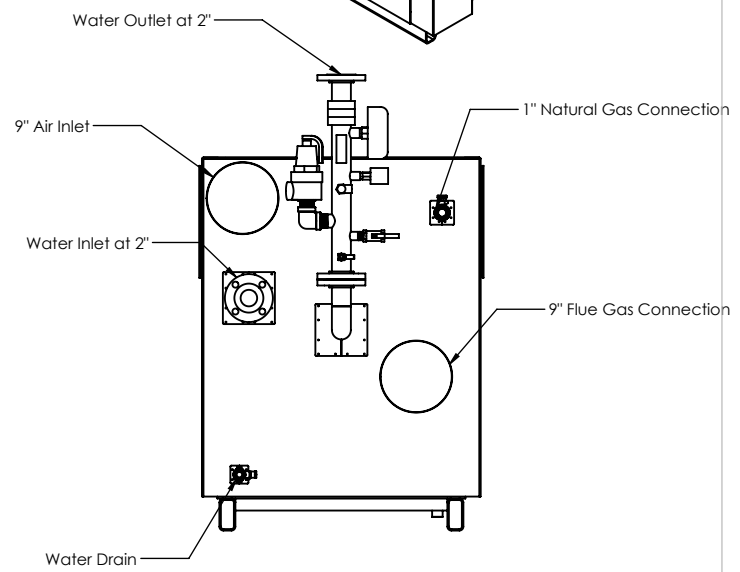
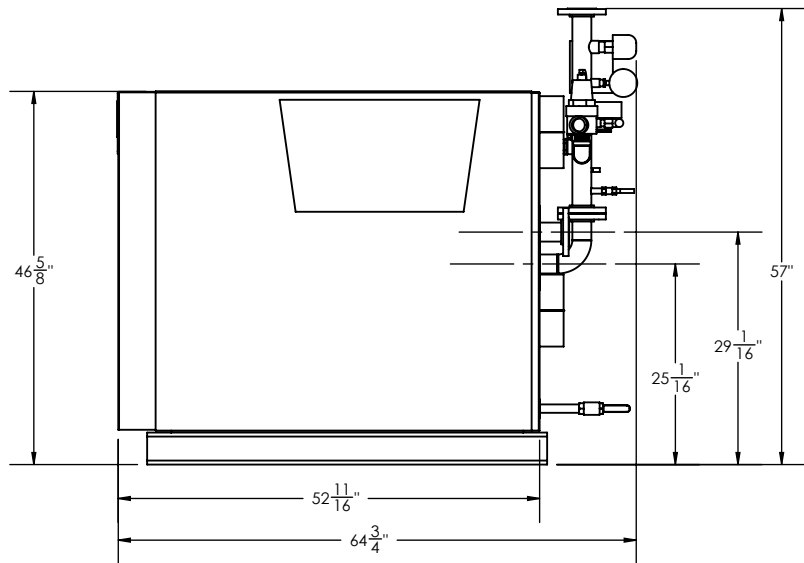
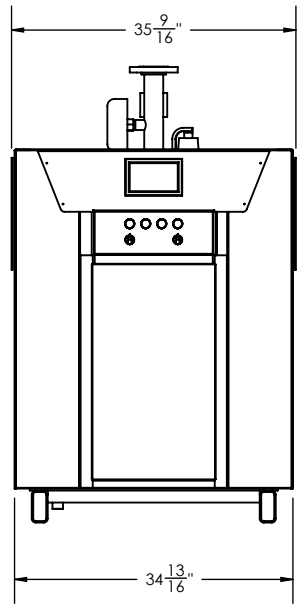
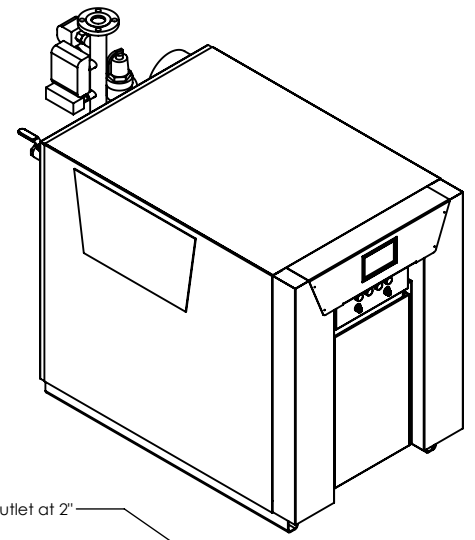
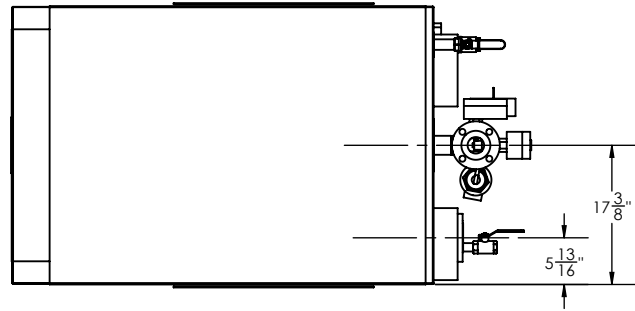


PROPRIETARY AND CONFIDENTIAL
 THE INFORMATION CONTAINED IN THIS DRAWING IS THE SOLE PROPERTY OF GASMASTER INDUSTRIES LTD. ANY REPRODUCTION IN PART OR AS A WHOLE WITHOUT THE WRITTEN PERMISSION OF GASMASTER INDUSTRIES LTD IS PROHIBITED.



Finish: None

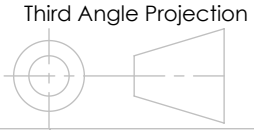
DIMENSIONS ARE IN INCHES

TOLERANCES:
 FRACTIONAL ±1/2
 ANGULAR ±3°

MATERIAL:
 Per Each Part

Rev No	Description of Revision

NAME	DATE
DRAWN BY	
CHECKED BY	
APPROVED BY	



GASMASTER INDUSTRIES LTD
 1480 Cliveden Ave, Delta, BC V3M 6K2

TITLE: NX 1000

SIZE DWG. REF. NO.

A

SCALE: 1:24



SHEET 1 OF 1