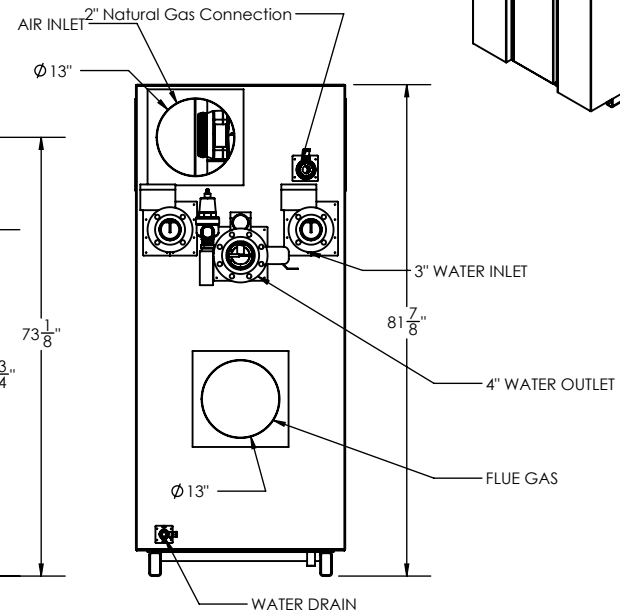
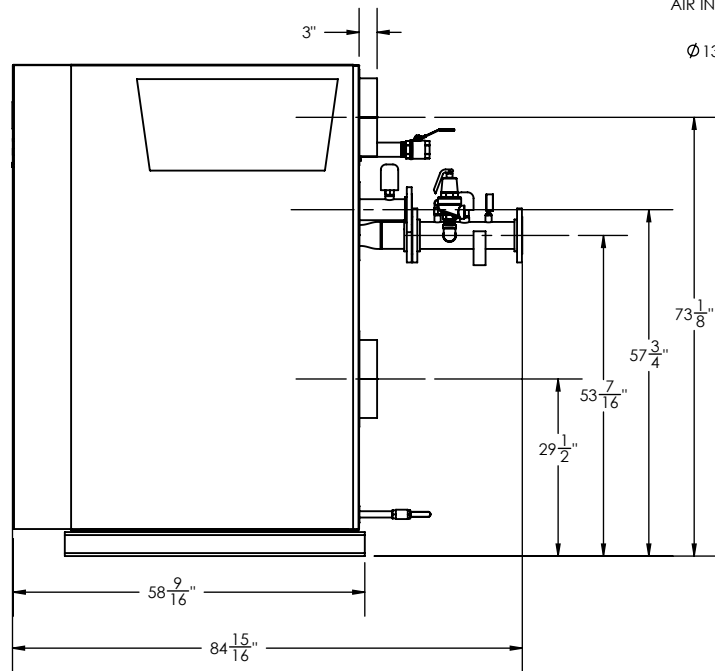
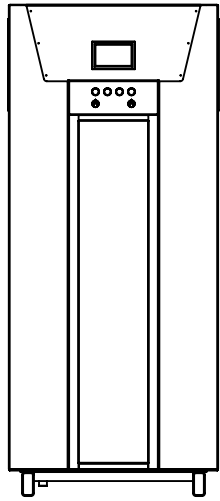
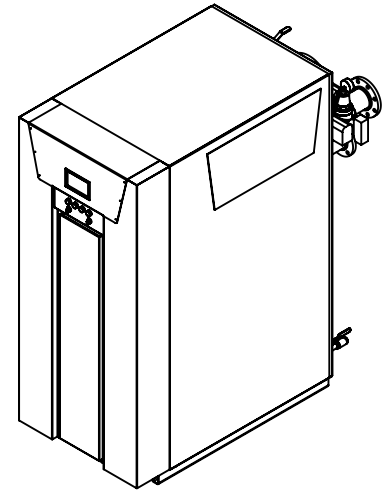
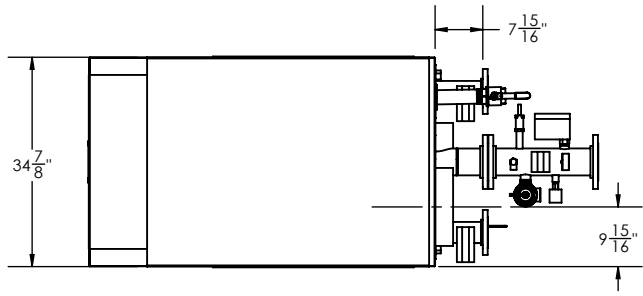


PROPRIETARY AND CONFIDENTIAL
 THE INFORMATION CONTAINED IN THIS DRAWING IS THE SOLE PROPERTY OF GASMASTER INDUSTRIES LTD. ANY REPRODUCTION IN PART OR AS A WHOLE WITHOUT THE WRITTEN PERMISSION OF GASMASTER INDUSTRIES LTD IS PROHIBITED.



Finish: None

DIMENSIONS ARE IN INCHES

TOLERANCES:
 FRACTIONAL ±1/2
 ANGULAR ±3°

MATERIAL:
 Per Each Part

Rev No	Description of Revision

NAME	DATE
DRAWN BY	
CHECKED BY	
APPROVED BY	

Third Angle Projection

GASMASTER INDUSTRIES LTD 1480 Cliveden Ave, Delta, BC V3M 6K2	
TITLE: NX-3000	
SIZE	DWG. REF. NO.
A	
SCALE: 1:32	SHEET 1 OF 1

