

GASMASTER



CUSTOM ORDERS

1,000,000 BTU/HR - 36,000,000 BTU/HR

CONDENSING BOILERS AND WATER HEATERS

HIGH-EFFICIENCY RADIAL PULSE TECHNOLOGY

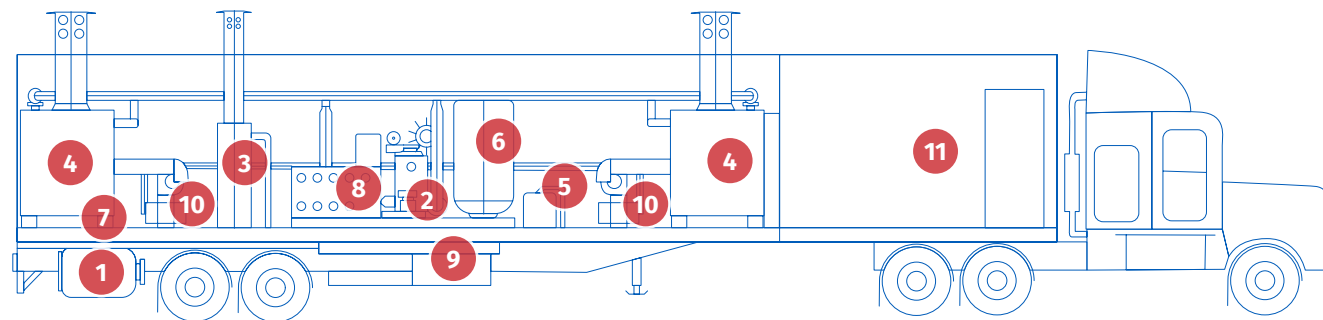


CUSTOM ORDER CONFIGURATIONS

BUILT TO YOUR EXACT SPECIFICATIONS

We offer custom boiler configurations to suit any heating or hot water application. Boilers are available as an uncovered skid, or as a fully containerized skid with industrial steel housing, easily transported via semi.

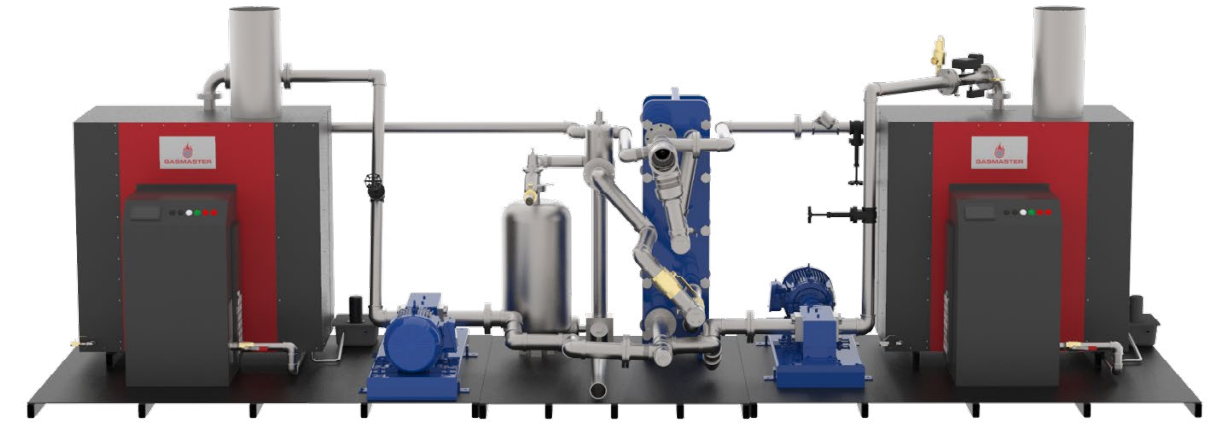
Ideal for both rural and urban applications, these units are made to be tough, versatile, and reliable. Past customers have utilized their custom designs for industries such as urban temporary event spaces, the oil & gas industry, mining, and others. For short term projects, these units are also available for rent and lease.



TRAILER LEGEND

- | | |
|--|--|
| <ol style="list-style-type: none"> 1. DOT/TC Rated Propane fuel tank(s) 2. TransformerModbus or BACnet interface 3. ASME propane vapourizer for boilers and the generating set fuel supply 4. Stainless steel high-efficiency condensing boilers with fully modulating burners 5. Propane fired generator set for all power requirements 6. Expansion Tank | <ol style="list-style-type: none"> 7. CSD 1 Trim 8. Supply and return manifolds with customized connections and cam lock fittings for quick and easy set-up or take-down 9. Hose storage for 20 ft lengths 10. Two sets of variable speed pumps providing 100% redundancy 11. Optional room for controls, sleeping quarters, additional boilers, and/or storage |
|--|--|

CUSTOM ORDER FEATURES



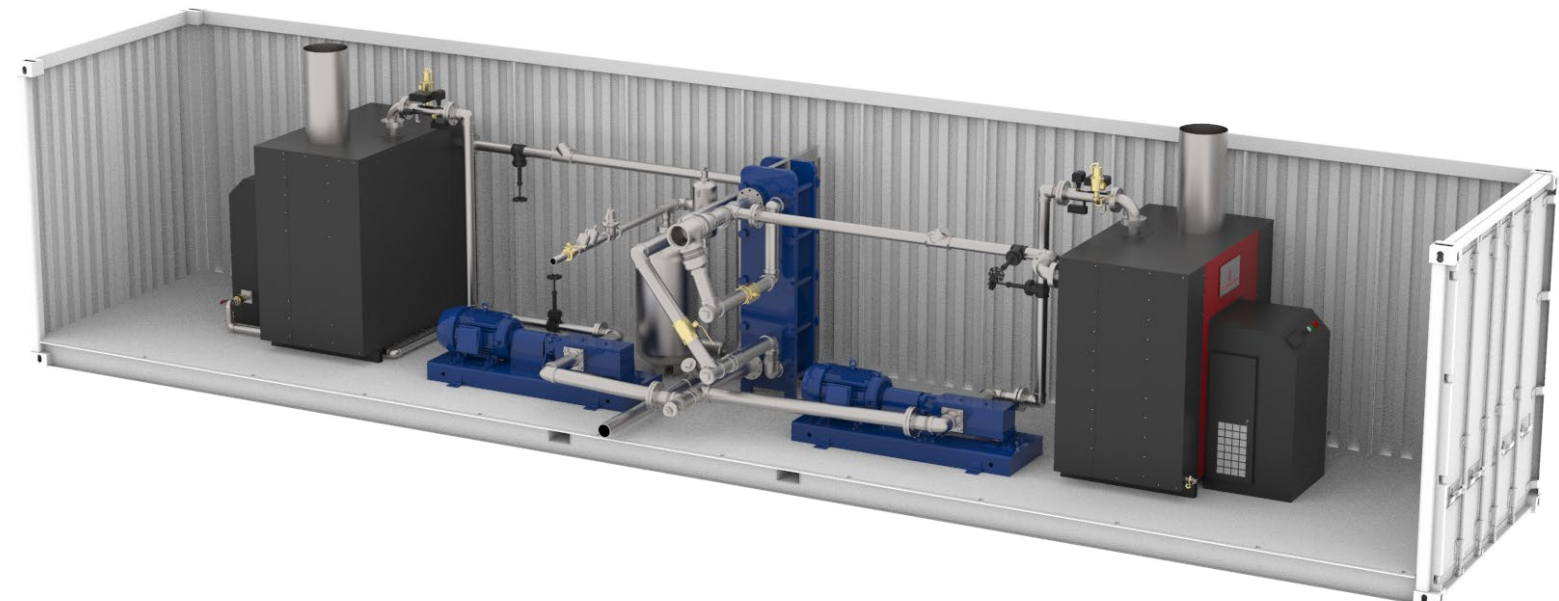
Custom skid with two GMI 4M units, totalling 8,000 MBH

FEATURES

- 🔥 1,000,000 BTU/hr to 36,000,000 BTU/hr
- 🔥 Up to 99.8% thermal efficiency
- 🔥 Stainless steel units
- 🔥 Direct or indirect heating
- 🔥 Run with natural gas, propane, or oil #2
- 🔥 3:1 turndown ratio

PREMIUM OPTIONS

- 🔥 Dual or tri-fuel/gas
- 🔥 Remote monitoring
- 🔥 20:1 turndown ratio
- 🔥 Carbon steel units



Custom trailer with two GMI 4M units, totalling 8,000 MBH

GASMASTER



📞 (604) 523 0600 | 📠 (604) 525 0570 | ✉ info@gasmaster.ca

📖 1480 Cliveden Avenue, Delta, BC, V3M 6K2 | 🔍 gasmaster.ca

🌐 Gasmaster-Industries

