

# GASMASTER



## HC SERIES

600,000 BTU/HR - 3,000,000 BTU/HR

**CONDENSING BOILERS AND WATER HEATERS**

HIGH-EFFICIENCY RADIAL PULSE TECHNOLOGY

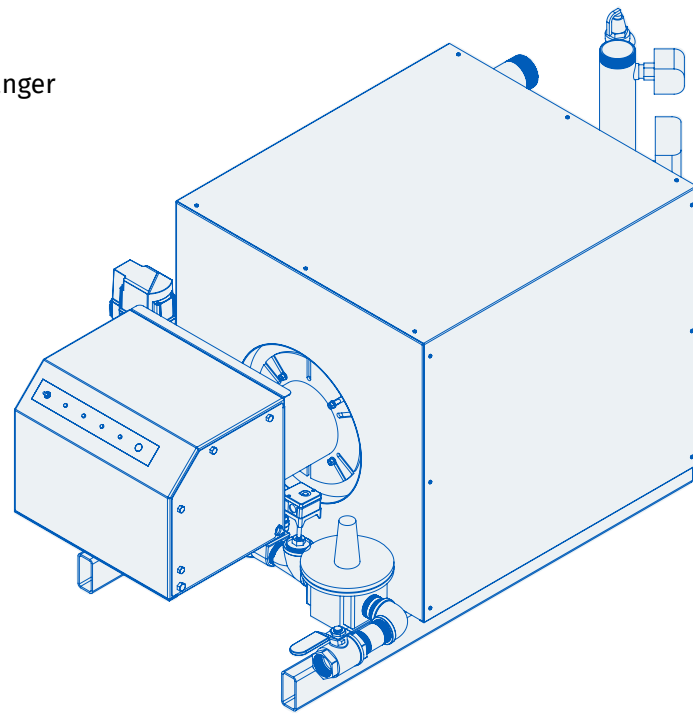


# HC SERIES FEATURES



## STANDARD

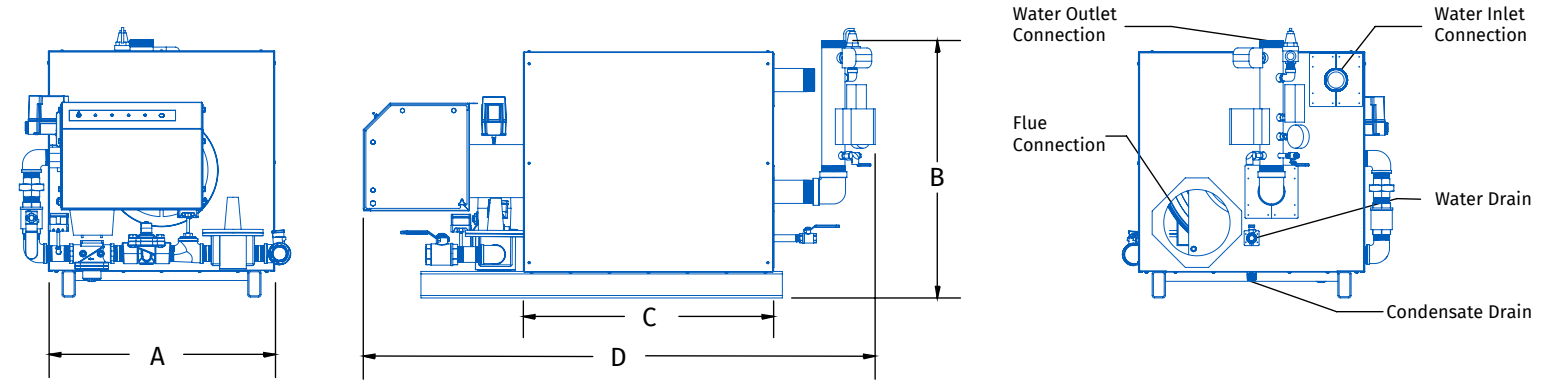
- 🔥 ASME-approved SA 249 316L stainless steel heat exchanger
- 🔥 Natural Gas or Propane
- 🔥 Uncontrolled NOx
- 🔥 Siemens LMV37 Combustion Control
- 🔥 UV flame detection
- 🔥 Sealed combustion chamber
- 🔥 NEMA-1 rated gas train
- 🔥 High temperature limit with manual reset
- 🔥 Water flow switch with low water cut-off
- 🔥 150 PSIG ASME-rated pressure relief valve
- 🔥 Pressure gauge



## PREMIUM OPTIONS

- 🔥 20:1 turndown ratio
- 🔥 Dual Gas
- 🔥 Ultra-low NOx: less than 9 ppm
- 🔥 Modbus or BACnet interface
- 🔥 Lead-Lag / Cascade (up to 8 units)
- 🔥 Honeywell Sola or Autoflame Mini MK8
- 🔥 Combustion air intake adapter
- 🔥 Secondary low water cut-off
- 🔥 CSD-1 gas train
- 🔥 Auxiliary pump relay
- 🔥 Alarm bell on lock-out
- 🔥 Condensate neutralizer kit
- 🔥 Circulating pump
- 🔥 Air filter
- 🔥 Automatic safety shut-off valve with proof of closure
- 🔥 Custom skid designs

# HC SERIES SPECIFICATIONS



		HC 3000	HC 2500	HC 2000	HC 1500	HC 1000	HC 600
<b>Input</b>	BTU/hr	3,000,000	2,500,000	2,000,000	1,500,000	1,000,000	600,000
	Kw	879	733	586	440	293	176
<b>Output</b>	BTU/hr	2,850,000	2,375,000	1,900,000	1,425,000	950,000	570,000
	Kw	835	696	557	418	278	167
<b>Turndown Ratio</b> <sup>1</sup>	X:1	5:1	5:1	4:1	4:1	3:1	2:1
<b>Boiler Eff. at Full</b>	%	95	95	95	95	95	95
<b>Load</b> <sup>2</sup>							
<b>Electrical Rating</b> <sup>3</sup>	V/Ph/Hz	115,1,60	115,1,60	115,1,60	115,1,60	115,1,60	115,1,60
<b>Heating Surface</b>	Ft <sup>2</sup>	365	229	200	172	105	67
<b>Side A</b>	in/mm	40/1,016	35/889	35/889	35/889	35/889	35/889
<b>Side B</b>	in/mm	43/1,092	39/991	39/991	38.5/978	38.5/978 <sup>3</sup>	40.5/1,029 <sup>4</sup>
<b>Side C</b>	in/mm	41.25/1,048	41.25/1,048	37.75/959	35/889	26/660	20.5/521
<b>Side D</b> <sup>5</sup>	in/mm	86/2,184	80/2,032	78/1,981	68/1,727	60/1,524	60/1,524
<b>Shipping Weight</b> <sup>6</sup>	Lbs.	2400	1,500	1,350	950	750	550
<b>Supply Connections</b>	Inches	3	3	3	2	2	2
<b>Return Connections</b>	Inches	3	3	3	2	2	2
<b>Water Content</b>	USG	48	34	30	26	17	12
<b>Gas Connection</b>	Inches	2	2	2	2	1	1
<b>Gas Inlet Pressure</b>	Inches WC	7-14	7-14	7-14	7-14	7-14	7-14
<b>Flue Connection</b>	Inches	13	12	10	10	9	7
<b>Flue Duct</b>	Material	All units use air-tight, corrosion-resistant stainless steel					
<b>Max Working Pressure</b>	PSIG	160	160	160	160	160	160
<b>Max Working Temp.</b>	°F	210	210	210	210	210	210
<b>Min Inlet Water Temp.</b>	°F	All units require any temperature above freezing point					
<b>Min Service Clearance</b>	Inches	Front 16", Top 0", Side 0", Back 4"					

<sup>1</sup> Higher turndown ratios available  
<sup>2</sup> Values can be higher depending on water inlet temperature  
<sup>3</sup> Different voltages available upon request  
<sup>4</sup> To the top of the surface  
<sup>5</sup> Size can significantly vary depending on preferred burner  
<sup>6</sup> Approximate dry weight of unit

# GASMASTER



📞 (604) 523 0600 | 📠 (604) 525 0570 | ✉ info@gasmaster.ca  
📖 1480 Cliveden Avenue, Delta, BC, V3M 6K2 | 🔍 gasmaster.ca  
🌐 Gasmaster-Industries

