

GASMASTER



1,000,000 BTU/HR - 3,000,000 BTU/HR

CONDENSING BOILERS AND WATER HEATERS

HIGH-EFFICIENCY RADIAL PULSE TECHNOLOGY



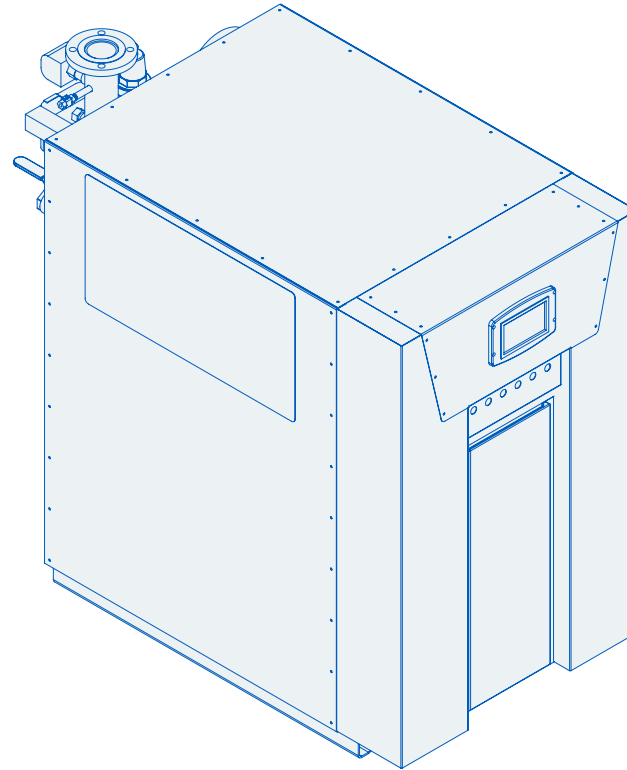
NX SERIES FEATURES



NX 1000 NX 3000

STANDARD

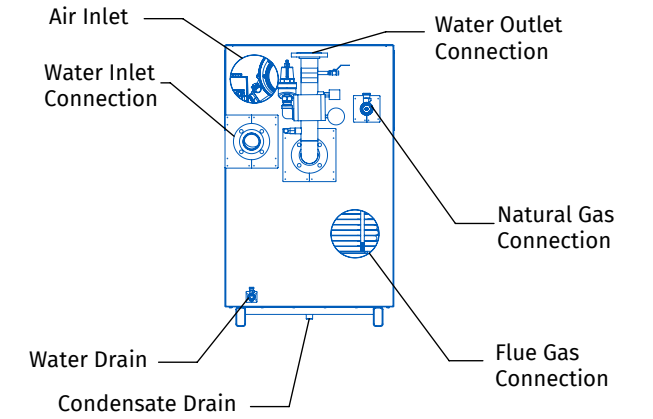
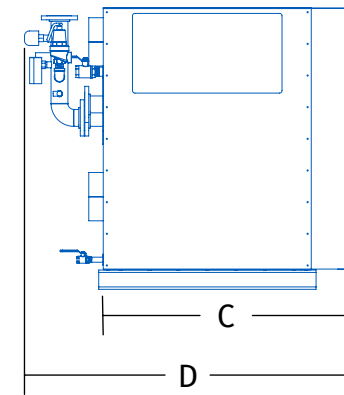
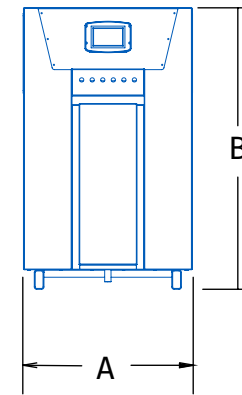
- 🔥 ASME-approved SA 249 316L stainless steel heat exchanger
- 🔥 Natural gas or propane
- 🔥 Low NOx (<30 ppm)
- 🔥 Honeywell Sola hydronic boiler controls
- 🔥 UV flame detection
- 🔥 Sealed combustion chamber
- 🔥 NEMA-1 rated gas train
- 🔥 High temperature limit with manual reset
- 🔥 Water flow switch with low water cut-off
- 🔥 150 PSIG ASME-rated pressure relief valve
- 🔥 Pressure gauge



PREMIUM OPTIONS

- 🔥 20:1 turndown ratio
- 🔥 Ultra-low NOx: less than 9 ppm
- 🔥 Modbus or BACnet interface
- 🔥 Lead-Lag / Cascade (up to 8 units)
- 🔥 Siemens LMV37 Combustion Control
- 🔥 Combustion air intake adapter
- 🔥 Secondary low water cut-off
- 🔥 CSD-1 gas train
- 🔥 Auxiliary pump relay
- 🔥 Alarm bell on lock-out
- 🔥 Condensate neutralizer kit
- 🔥 Circulating pump
- 🔥 Air filter
- 🔥 Automatic safety shut-off valve with proof of closure
- 🔥 Custom skid designs

NX SERIES SPECIFICATIONS



		NX 3000	NX 2500	NX 2000	NX 1500	NX 1000
Input	BTU/hr	3,000,000	2,500,000	2,000,000	1,500,000	1,000,000
	Kw	879	733	586	440	293
Output	BTU/hr	2,850,000	2,375,000	1,900,000	1,425,000	950,000
	Kw	835	696	557	418	278
Turndown Ratio ¹	X:1	8:1	8:1	3:1	3:1	5:1
Boiler Eff. at Full Load ²	%	95	95	95	95	95
Electrical Rating ³	V/Ph/Hz	208-480,3,50/60	208-240,3,50/60	208-240,3,50/60	110-240,1,50/60	110-240,1,50/60
Heating Surface	Ft ²	319	257	220	154	105
Side A	in/mm	35/889	35/889	35/889	35/889	35/889
Side B	in/mm	81.5/2,070	81.5/2,070	81.5/2,070	59/1,499	59/1,499
Side C	in/mm	57.5/1,461	57.5/1,461	57.5/1,461	53/1,346	53/1,346
Side D ⁴	in/mm	81.5/2,070	81.5/2,070	81.5/2,070	69/1,753	69/1,753
Shipping Weight ⁵	Lbs.	3,500	2,700	2,500	2,000	1,600
Supply Connections	Inches	4	4	4	3	2
Return Connections	Inches	2x3	2x3	2x3	3	2
Water Content	USG	48	39	34	29	15
Gas Connection	Inches	2	2	2	1.5	1
Gas Inlet Pressure	Inches WC	7-14	7-14	7-14	7-14	7-14
Flue Connection	Inches	13	12	10	10	9
Flue Duct	Material	All units use air-tight, corrosion-resistant stainless steel				
Max Working Pressure	PSIG	160	160	160	160	160
Max Working Temp.	°F	210	210	210	210	210
Min Inlet Water Temp.	°F	All units require any temperature above freezing point				
Min Service Clearance	Inches	Top 24", Front 18", Back 6", L. Side 18", R. Side 18", Floor Non-Combustible				

¹ Higher turndown ratios available
² Values can be higher depending on water inlet temperature
³ Different voltages available upon request
⁴ Size can significantly vary depending on preferred burner
⁵ Approximate dry weight of unit

GASMASTER



📞 (604) 523 0600 | 📠 (604) 525 0570 | ✉ info@gasmaster.ca
📖 1480 Cliveden Avenue, Delta, BC, V3M 6K2 | 🔍 gasmaster.ca
🌐 Gasmaster-Industries

